



Door Closer

DORMA TS 71

The inexpensive solution for standard doors – with quality assured

With the TS 71, DORMA has developed a door closer that rounds off its ClassicLine series perfectly. The ease and speed with which it can be fixed, the fact that its spring strength can be so easily adapted to the door

size – by simply turning round the hinge plate – and its competitive price should make it the ideal choice for your application.

Certified to ISO 9001

Benefits

For the trade

- Increased stocking flexibility thanks to use of the standard ClassicLine series arm.
- Complements the ClassicLine series as a competitive model for standard doors.

For the installer/fabricator

- Non-handed design.
- Easy and quick to fix.

For the architect/specifier

- Competitive and reliable.
- Compact construction combined with classic design.

For the user

- Constant closing action virtually unaffected by temperature fluctuations.
- Optimum closing speed adjustment with two regulating valves.
- Reliable closing with adjustable latching action.

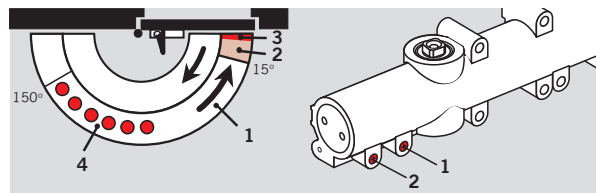
Data and features		TS 71
Spring strength (adjustable by turning round the hinge plate)	Size	EN 3/4
Standard doors	≤ 1100 mm ¹⁾	●
External doors, outward opening		–
Fire doors		●
Non-handed		●
Arm type	Standard	●
	Slide channel	–
Closing speed adjustable at 2 separate valves	180° – 15°	●
	15° – 0°	
Latching action adjustable (by arm)		●
Backcheck		–
Delayed action		–
Hold-open		○
Weight in kg		1.2
Dimensions in mm	Length	232
	Overall depth	45
	Height	68
Door closer tested and approved to EN 1154		●
CE mark for construction products		●

● Yes – No ○ Option

¹⁾With parallel-arm fixing, the closing force is approx. 20 Nm (for doors up to 950 mm)

Standard and optional functions

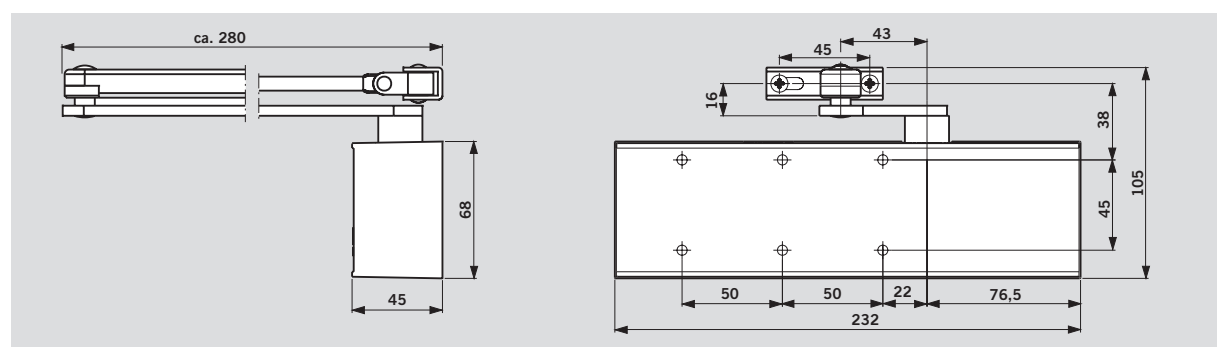
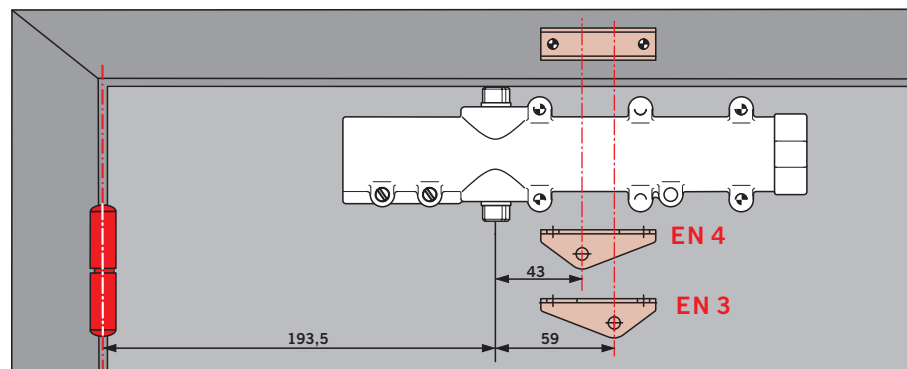
- 1 Closing speed adjustable in the range 180° – 15°.
- 2 Closing speed adjustable in the range 15° – 0°.
- 3 Latching action.
- 4 Hold-open range for model with hold-open arm (optional extra).



Closing force settings

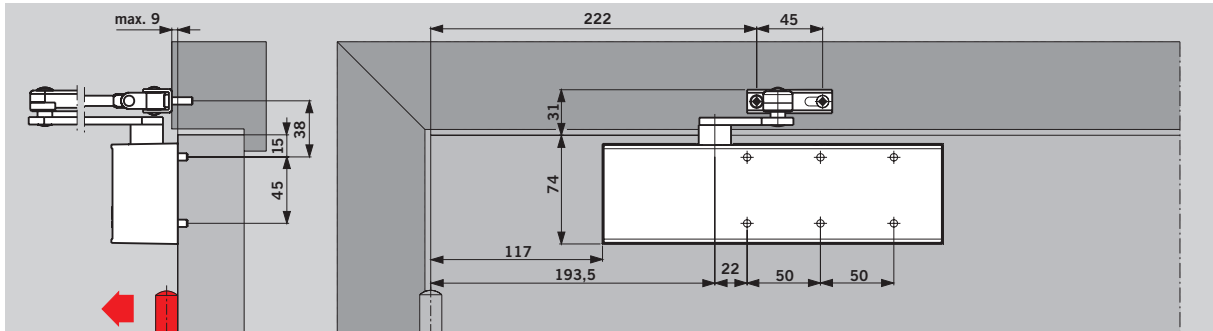
Door width	Setting
≤ 950	EN 3
≤ 1100	EN 4

With the TS 71, the spring strength (size setting) of the closer is adjusted to the door width concerned by merely turning round the hinge plate.



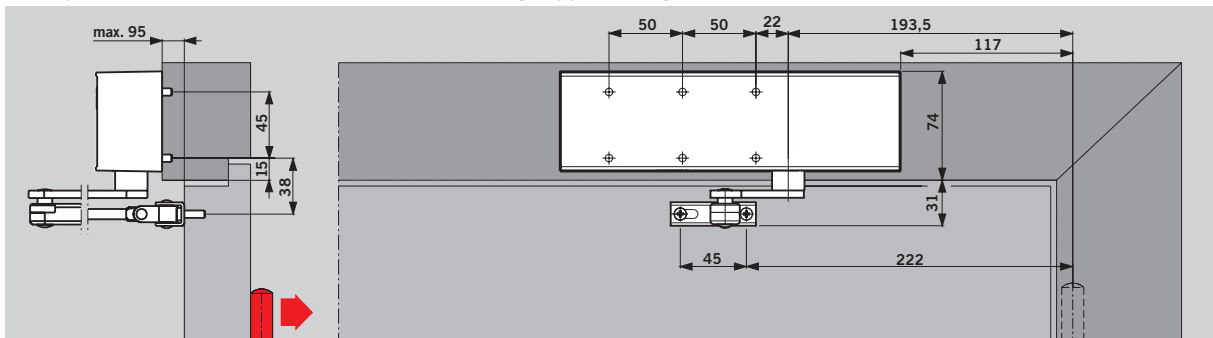
Door leaf fixing, pull side

(Example refers to left-hand [ISO 6] door; mirror image applies to right-hand [ISO 5] door)



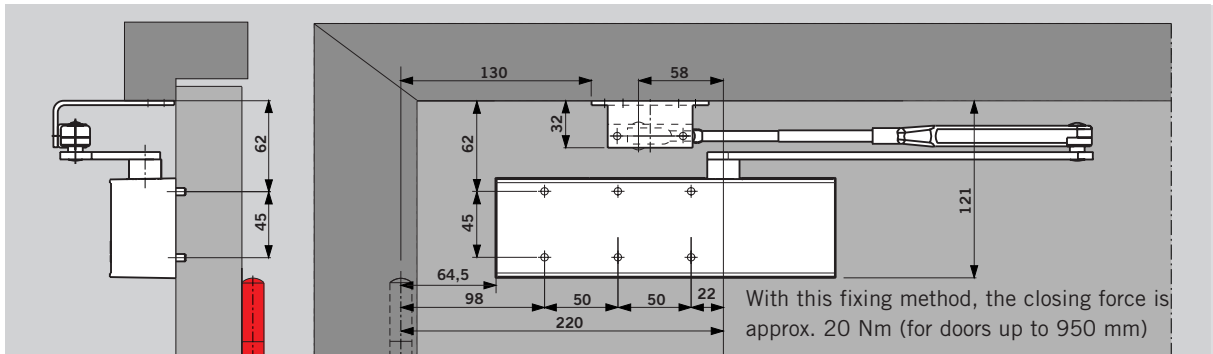
Transom fixing (overhead frame installation), push side

(Example refers to left-hand [ISO 6] door; mirror image applies to right-hand [ISO 5] door)



Parallel-arm fixing, push side

(Example refers to left-hand [ISO 6] door; mirror image applies to right-hand [ISO 5] door). Parallel-arm bracket (accessory) necessary



Standard equipment and accessories

Order No.:

- = Closer separate
- = Arm assembly separate
- # = Accessory

Colour	xx
Silver	01
Dark brown	03
White (sim. to RAL 9010)	10
White (sim. to RAL 9016)	11
Special colour	09

Closer body TS 71	Standard arm	Hold-open arm	Mounting backplate	Parallel-arm bracket
	 □ 220023xx	 □ 220025xx	 220021xx	 280066xx
Size EN 3/4 222121xx			#	#

Specification text

Rack-and-pinion door closer with adjustable closing force, size EN 3 or 4, closing speed adjustable in two independent ranges, with adjustable latching action. Non-handed.

Tested and approved to EN 1154.

Model

- with standard arm
- with hold-open arm

Accessories

- Mounting backplate
- Fixing bracket for parallel-arm assembly

Colour

- Silver
- Dark brown
- White (sim. to RAL 9010)
- White (sim. to RAL 9016)
- Special colour _____ (sim. to RAL _____)

Make DORMA TS 71



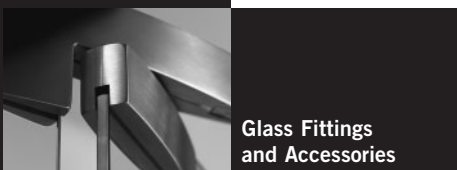
www.dorma.com



Door Control



Automatic



Glass Fittings
and Accessories



Security/Time
and Access (STA)



Movable Walls

Door Control Division worldwide

Central Europe

DORMA GmbH + Co. KG
Breckerfelder Str. 42-48
D-58256 Ennepetal
Tel. +49 2333 793-0
Fax +49 2333 793-495

Australia

DORMA Door Controls Pty. Ltd.
46-52, Abbott Road
Hallam/Victoria 3803
Australia
Tel. +61 3979 63555
Fax +61 3979 63955

China/Hong Kong

DORMA Door Controls
(Suzhou) Co. Ltd.
No. 9, Hong Feng Road
Suzhou Singapore Industrial Park
Suzhou, 215021
P.R. of China
Tel. +86 512 67612481
Fax +86 512 67614582

DORMA Door Controls Pte. Ltd.
Room 701, Technology Plaza
651 King's Road
North Point
Hong Kong
Tel. +852 25034632
Fax +852 28875370

Emerging Markets

DORMA GmbH + Co. KG
Breckerfelder Str. 42-48
D-58256 Ennepetal
Tel. +49 2333 793-0
Fax +49 2333 793-495

DORMA Door Controls (Pty.) Ltd.

Kings Court
4A Mineral Crescent
ZA-2000 Crown/Gauteng
South Africa
Tel. +27 11 8300280
Fax +27 11 8300291

Far East

DORMA Far East Pte. Ltd.
No. 31 Gul Lane
Singapore 629425
Tel. +65 6268 7633
Fax +65 6265 7995

France

DORMA France S.A.S.
Europarc
42, rue Eugène Dupuis
F-94046 Créteil
Tel. +33 1 41942400
Fax +33 1 41942401

Gulf

DORMA Gulf Door Controls FZE
Jebel Ali Free Zone South
Plot No. S 20135
Road No. SW 301 G
P.O. Box 17268
Dubai – United Arab Emirates
Tel. +971 4 8020400
Fax +971 4 8869100/8869101

North America

DORMA Architectural Hardware
DORMA Drive, Drawer AC
Reamstown, PA 17567-0411
Tel. +1 800 5238483
Fax +1 800 2749724

Scanbalt

DORMA Danmark A/S
Sindalvej 6-8
DK-2610 Rødovre
Tel. +45 44 543000
Fax +45 44 543001

South America

DORMA Sistemas de Controles
para Portas Ltda.
Av. Piracema, 1400
Centro Empresarial Tambore
CEP 06400-933 Barueri/
São Paulo, Brasil
Tel. +55 11 46899280
Fax +55 11 46899215

South-East Europe

DORMA AUSTRIA GmbH
Pebering Strass 22
A-5301 Eugendorf
Tel. +43 6225 284880
Fax +43 6225 28491

South Europe

DORMA Italiana S.r.l.
Via. Canova 44/46
I-20035 Lissone (MI)
Tel. +39 039 244031
Fax +39 039 24403310

DORMA Ibérica, S.A.
Camino San Martin de la Vega, 4
E-28500 Arganda del Rey
(Madrid)
Tel. +34 91 8757850
Fax +34 91 8757881

UK/Ireland

DORMA UK Ltd.
Wilbury Way
Hitchin
GB-Hertfordshire SG4 0AB
Great Britain
Tel. +44 1462 477600
Fax +44 1462 477601



4 102122 612899 45