



# BTS Accessories

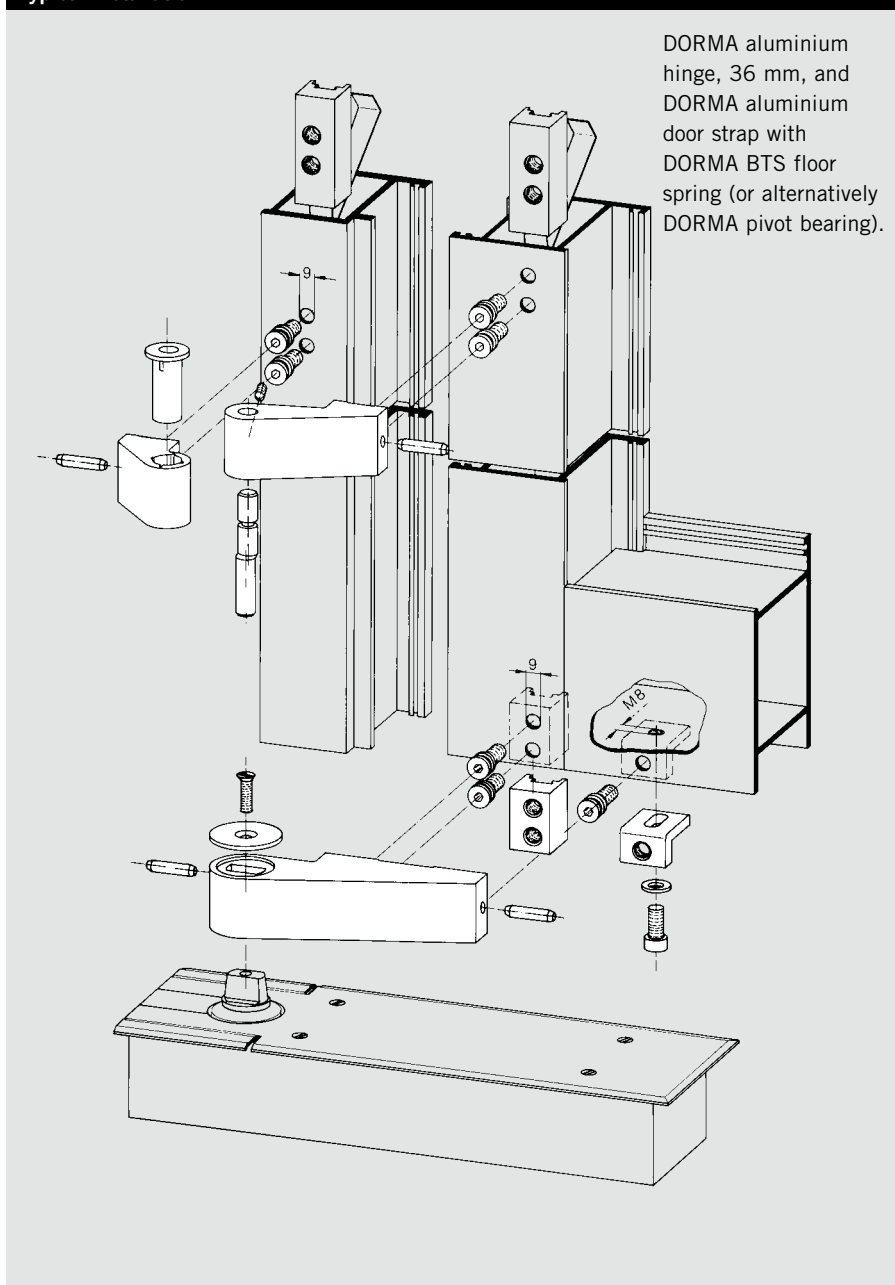
Floor Spring  
Accessories

## For single action aluminium doors

### Aluminium door straps

- For flush-closing single action aluminium doors of various types
- Door width up to 1200 mm, door weight up to 120 kg
- Non-handed
- Easy to fix – no milling or routing necessary, only 4 holes to drill
- Fast and simple installation with lock-pin arrangement
- Robust and secure installation with backplates and reinforcing angle bracket on door strap
- Steel insert press-fitted in aluminium door strap gives close tolerance connection to spindle.

### Typical installation



DORMA aluminium hinge, 36 mm, and DORMA aluminium door strap with DORMA BTS floor spring (or alternatively DORMA pivot bearing).

### DORMA aluminium door strap

Art. No. 7459

Silver (EV 1, Euras C-0):

Order No. 45010409

Special colours on request.

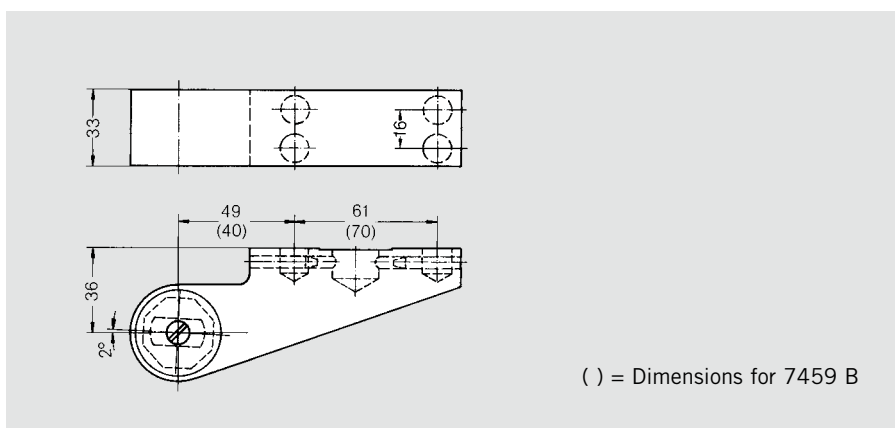
### DORMA aluminium door strap

Art. No. 7459 B

Silver (EV 1, Euras C-0):

Order No. 45010482

Special colours on request.



**Drill jig for aluminium hinges**

For standard hinges (9 mm dia.), for IK (insulated construction) hinges (11 mm dia.) and also for 2 and 3-part hinges; indicate dimensions x and y or the profile.

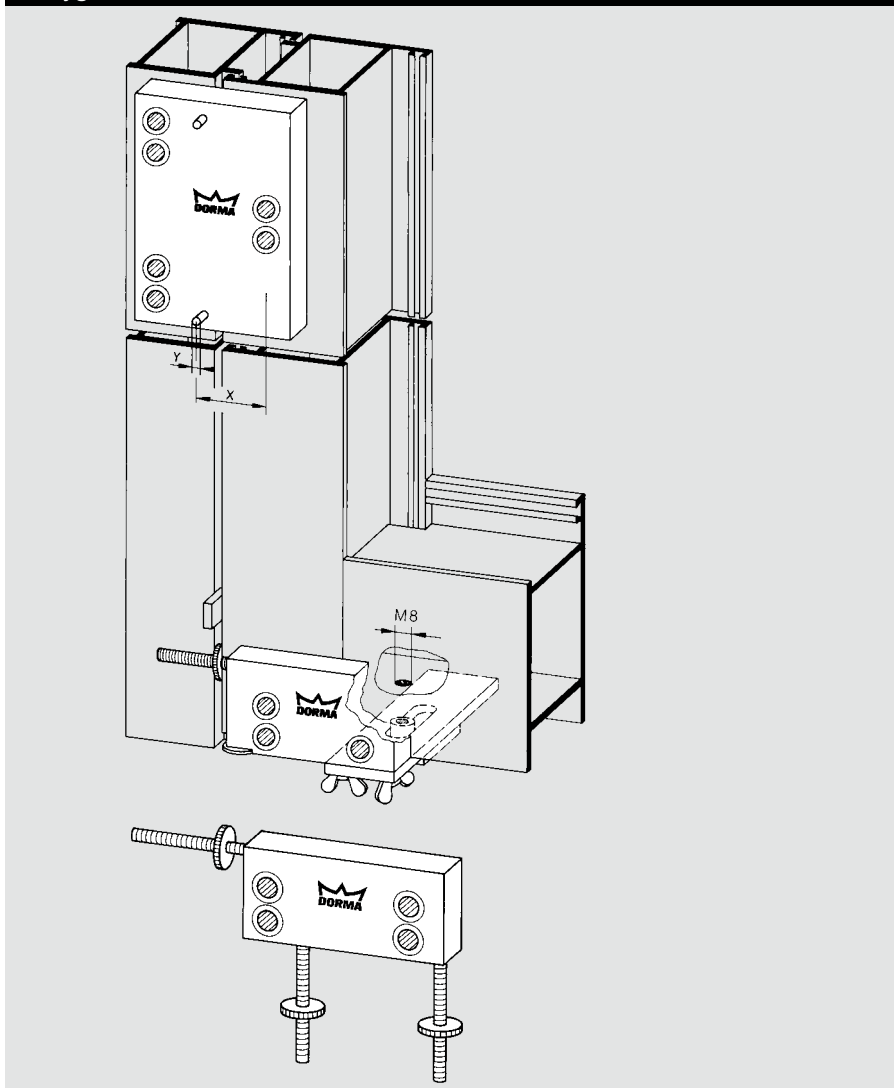
**Universal drill jig for aluminium door strap**

Art. No. 7459 L  
Adjustable to suit various profile systems; for normal doors (9 mm dia.) and also for insulated doors, external fixing (11 mm dia.).  
Standard design: Order No. 45090074  
B-type: Order No. 45090075

**Universal drill jig for direct screw-fixing of aluminium door strap**

Art. No. 7459 L/D  
Adjustable to various profile systems for direct fixing; for normal doors (9 mm dia.) and also for insulated doors, external fixing (11 mm dia.).  
Standard design: Order No. 45090077  
B-type: Order No. 45090078

**Drill jigs**



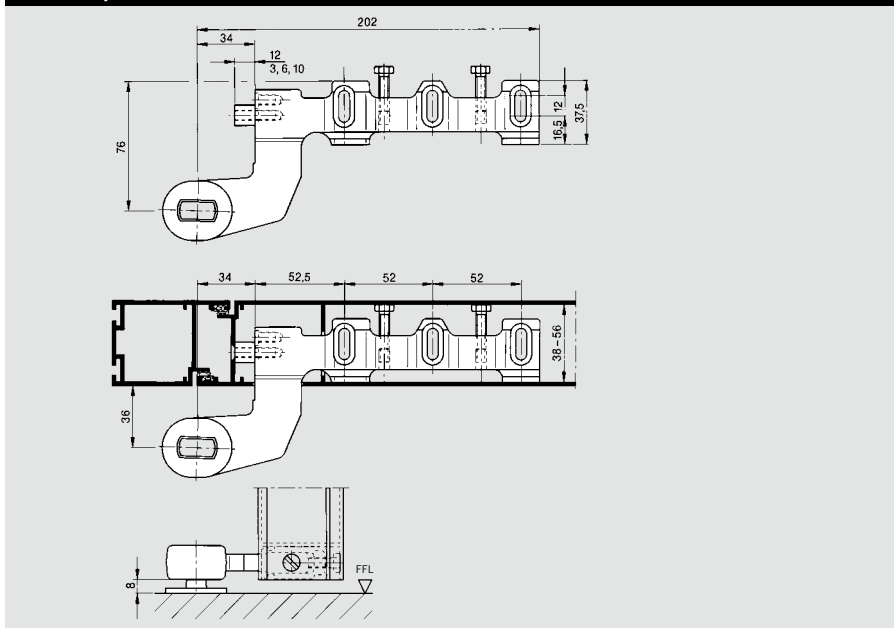
**Door strap**

Art. No. 7456/1  
Drop forged steel; adjustable to various profile systems, non-handed.  
Order No. 45010006

**Cover caps**

See pages 4 and 5,  
Art. No. 7481 and 7482.

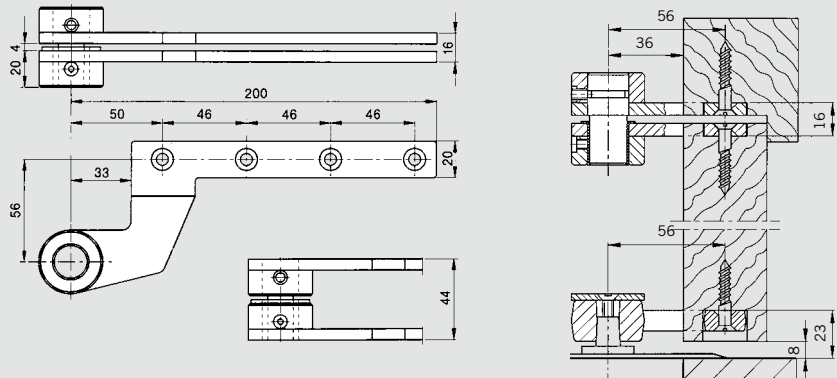
**Door strap**



## For flush-closing doors

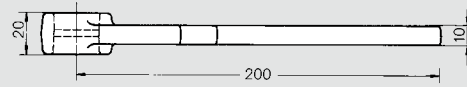
### Top centres

Art. No. 7411 K/56  
Zinc-plated steel; with eccentric pin and bush for adjustment after hanging the door; non-handed.  
Order No. 45300016



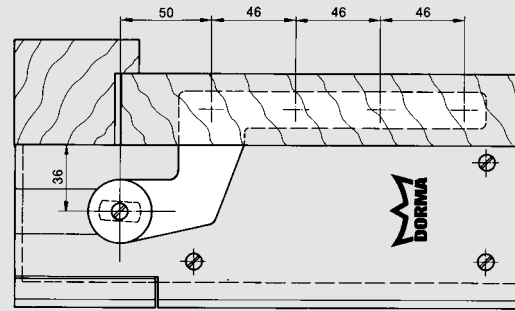
### Door strap

Art. No. 7411/56  
Drop forged steel, zinc-plated.  
Order No. 45010003



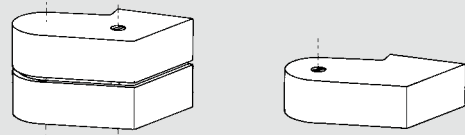
### Top washer for door strap

Art. No. 7432  
Stainless steel  
Order No. 45090030



### Cover caps

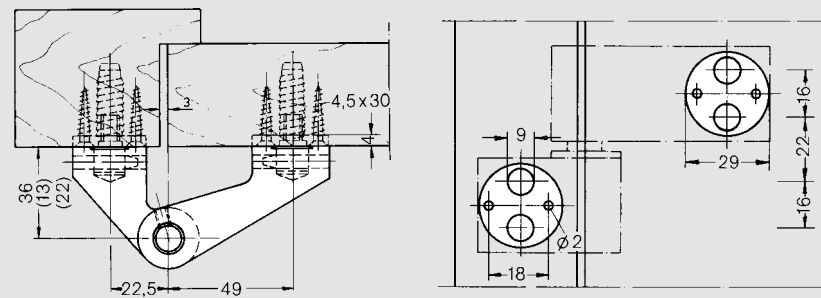
for top centres and door strap



Type	Order No. for cover caps		
	for top centres, two parts	for door strap, single	
		LH (ISO 6)	RH (ISO 5)
Die cast aluminium Art. No. 7483/7481 Mill finish Silver (EV 1, Euras C-0)	45500301 45500401	45055300 45055400	45051300 45051400

### LM pivot hinges with fixing for non-rebated timber doors

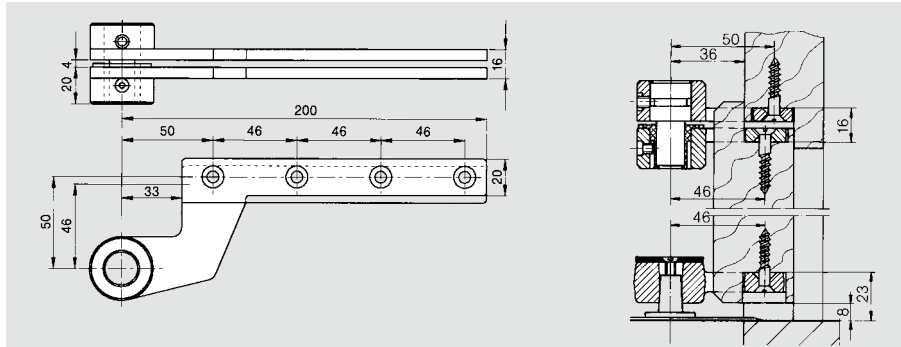
Offset in mm	Art. No.
36	A-36.10
22	A-22.10
13	A-13.10



## For rebated doors

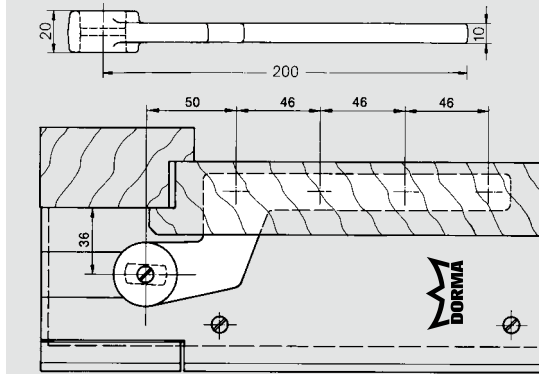
### Top centres

Art. No. 7411 K/46  
Zinc-plated steel; with eccentric pin and bush for adjustment after hanging the door; handed.  
LH (ISO 6) door  
Order No. 45305015  
RH (ISO 5) door  
Order No. 45301015



### Door strap

Art. No. 7411/46  
Drop forged steel, zinc-plated.  
Order No. 45010000

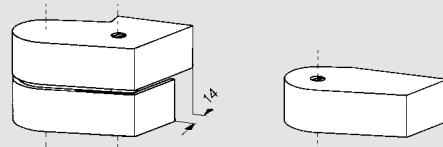


### Top washer for door strap

Art. No. 7432  
Stainless steel  
Order No. 45090030

### Cover caps

for top centres and door strap

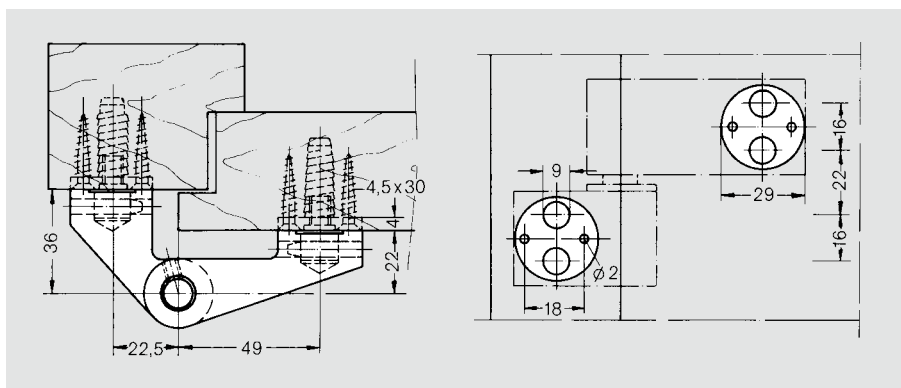


Type	Order No. for cover caps			
	for top centres, two parts		for door strap, single	
	LH (ISO 6)	RH (ISO 5)	LH (ISO 6)	RH (ISO 5)
Die cast aluminium Art. No. 7484/7482 Silver (EV 1, Euras C-0)	45505400	45501400	45055401	45051401

### LM pivot hinges with fixing for over-rebated timber doors

#### Drill jig for flush closing and over-rebated doors

Dimension x = 50.5 mm,  
Dimension y = 3 mm

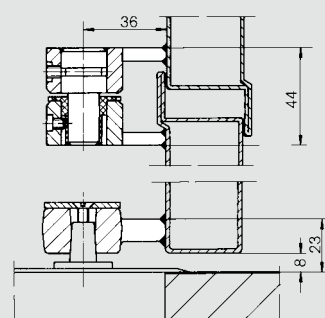
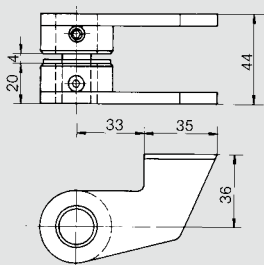


## For single action steel doors

### Weld-on accessories

#### Top centres

Art. No. 7431 K  
Steel, primed; with eccentric pin and bush for adjustment after hanging the door; non-handed.  
Order No. 45300012



#### Door strap

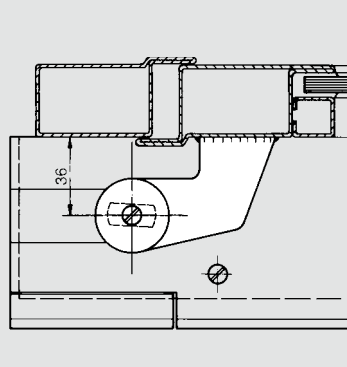
Art. No. 7431  
Drop forged steel, primed  
Order No. 45010005

#### Top washer for door strap

Art. No. 7432  
Stainless steel  
Order No. 45090030

#### Cover caps

see pages 4 and 5



### Weld-on accessories

#### Top centres

Art. No. 7441 K  
Steel, primed; with eccentric pin and bush for adjustment after the door is hung; non-handed.  
Order No. 45300014

#### Door strap

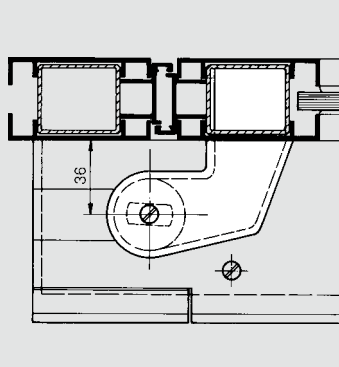
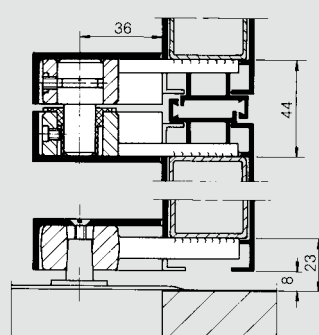
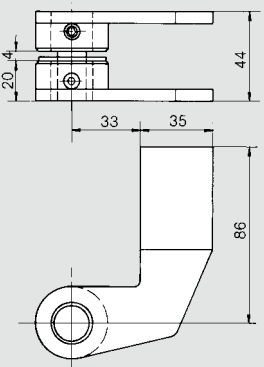
Art. No. 7441  
Drop forged steel, primed  
Order No. 45010007

#### Top washer for door strap

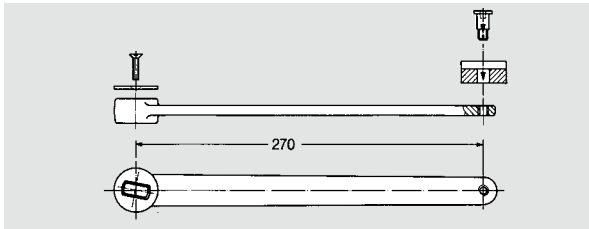
Art. No. 7432  
Stainless steel  
Order No. 45090030

#### Cover caps

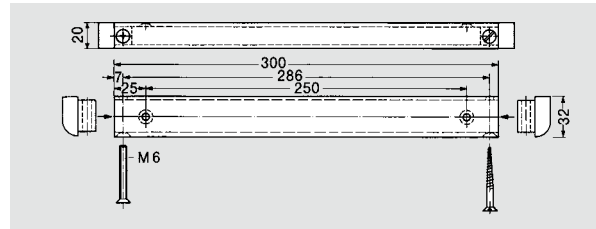
see pages 4 and 5



## For butt hung doors



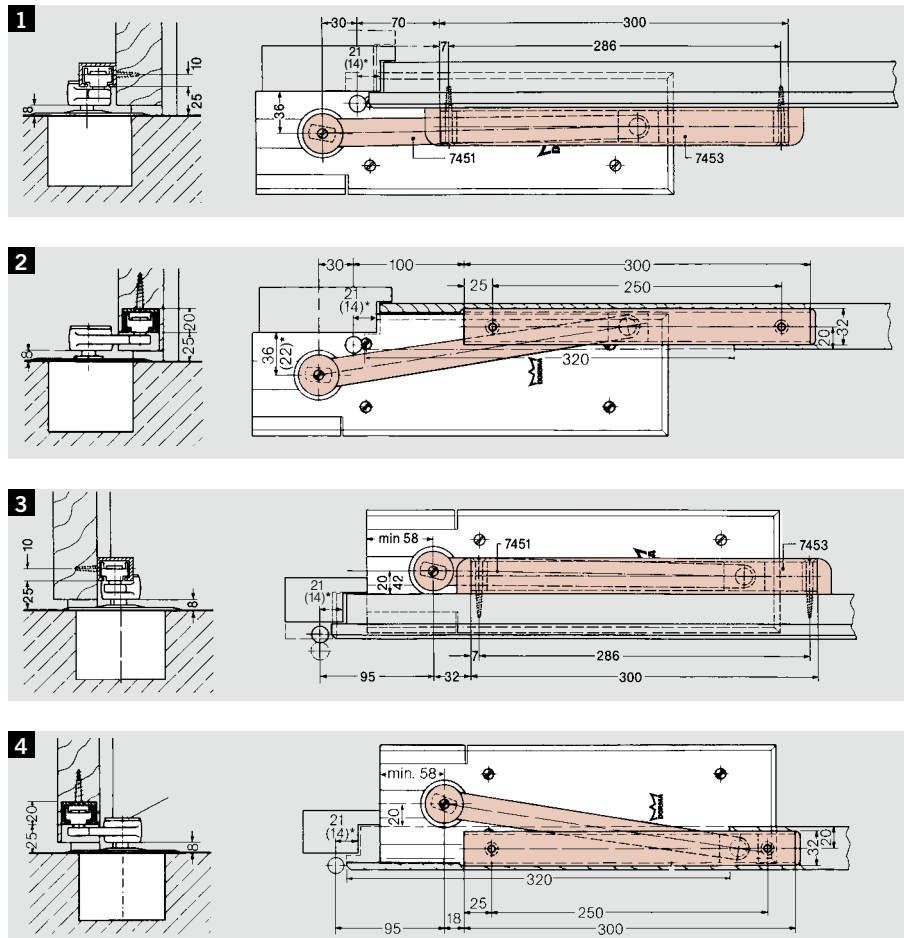
**Swing lever** Art. No. 7451 N  
Drop forged steel, including top washer 7432.  
Order No. 45090070



**Guide housing** Art. No. 7453 N  
Aluminium, anodised, silver (EV 1, Euras C-0).  
Order No. 45090053

### Example installations

( ) \* = Offset for non-rebated doors



### Max. opening angle, backcheck activation angle and hold-open angle

Installation	Door thickness in mm							
	Over-rebated door				Flush closing door			
	39	50	60	70	39	50	60	70
<b>1</b>	100				100			
<b>2</b>	100				100			
<b>3</b>	125	116	108	102	114	105	98	92
<b>4</b>	135	137	140	140	132	135	135	120
<b>1</b>	78				78			
<b>2</b>	85				85			
<b>3</b>	60				60			
<b>4</b>	52				52			
<b>1</b>	105	95			100			
<b>2</b>	90	90			90			
<b>3</b>	105	83	85	87	90	86	90	92
	120	102	105	107	112	108	111	115
<b>4</b>	105	73	75	77	79	76	78	80
	120	90	93	95	98	95	100	102

<sup>1)</sup> Set door stop at maximum door opening. Owing to the differing pivot points of the floor spring and hinges, the backcheck is activated earlier, i.e. at an opening angle less than 85°. This type of installation reduces the floor spring's power. To minimise this effect, make sure that the door is correctly hung and free-running on its hinges. Detailed installation drawing available on request.

## For steel, aluminium and timber doors

### Adjustable top centres (die cast aluminium)

comprising an frame portion with adjustable pin for deep profiles up to max. 20 mm, and door portion with needle bearing (8067 with plastics bearing). For deeper profiles, the top centre assembly can be supplied with pins extended by 10 mm.

Frame portion 8062/8067  
Order No. 46020031

Cover plate 8064  
Order No. 46020044

Door portion 8062  
Order No. 46020033

Door portion 8067  
Order No. 46020011

**Top centres complete**  
(Frame- and door portion)  
8062 Order No. 46300003  
8067 Order No. 46300005

### Adjustable top centres (steel)

comprising an frame portion with adjustable pin for deep profiles up to max. 16 mm, and door portion with needle bearing. For deeper profiles, the top centre assembly can be supplied with pins extended by 10 mm.

Frame portion 8066  
Order No. 46020036  
Frame portion 7461\*  
Order No. 46020050

Cover plate 8064  
Order No. 46020044

Door portion 8066  
Order No. 46020047

Door portion 7461 A\*  
Order No. 46020048

Door portion 7463 B\*  
Order No. 46020049

**Top centres complete**  
(Frame- and door portion)  
8066 Order No. 46300006

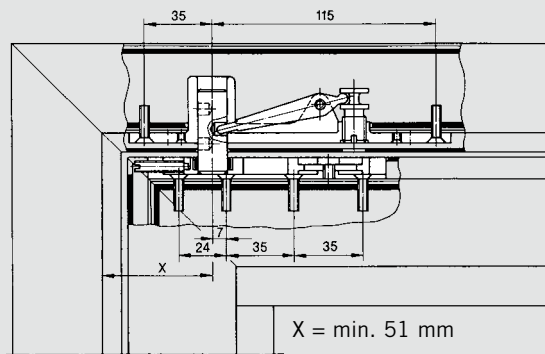
\* For door portions 7461 A and 7463 B, use frame portion 7461 with 13 mm dia. pin.



## Typical installations

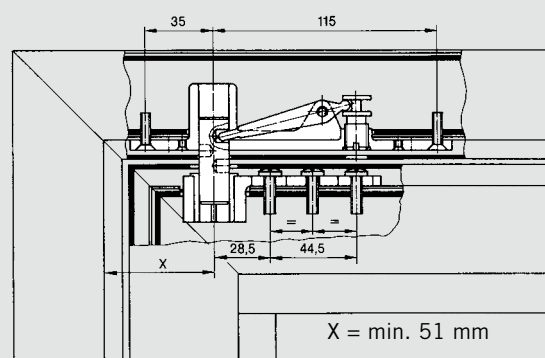
for aluminium doors

Top centre 8062



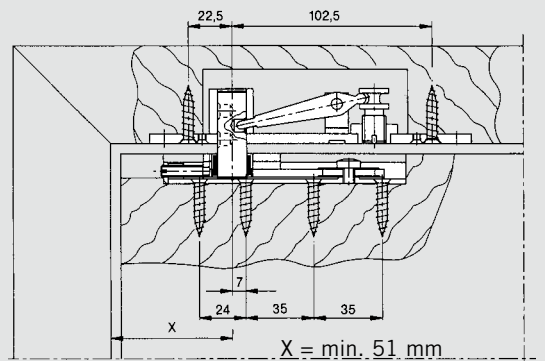
for aluminium doors

Top centre 8067



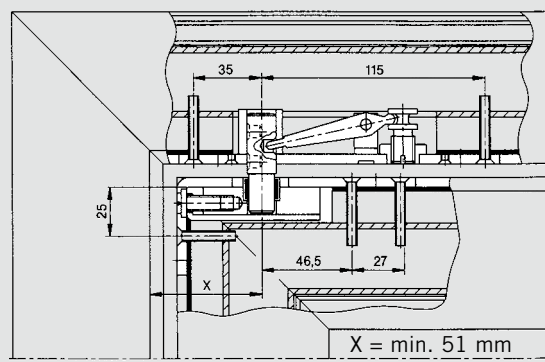
for timber doors

Top centre 8066

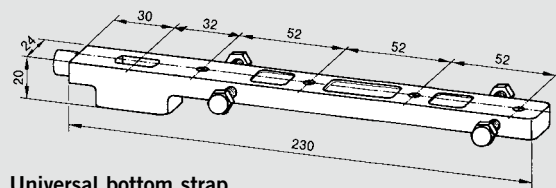


for steel doors

Top centre 7461



## Bottom straps

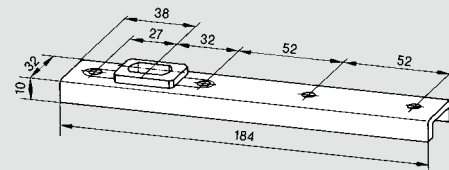


**Universal bottom strap**

Art. No. 7422

Drop forged steel, zinc-plated; adjustable to various frame profiles.

Order No. 46010002

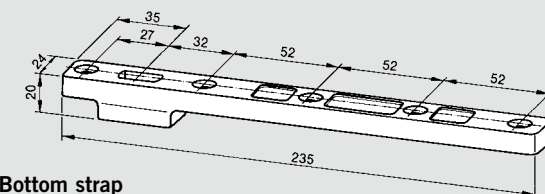


**Bottom strap**

Art. No. 8021

Zinc-plated steel; for door weights up to 100 kg.

Order No. 45010410



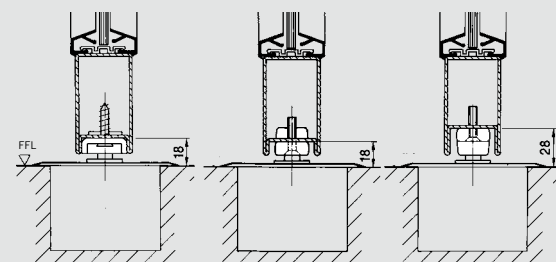
**Bottom strap**

Art. No. 7421

Drop forged steel, zinc-plated for door weights up to 300 kg.

Order No. 46010001

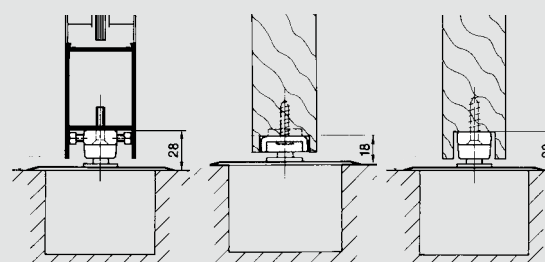
## Typical installations



**Bottom strap 8021**

**Bottom strap 7421 with milled hole**

**Bottom strap 7421 surface fixed**



**Bottom strap 7422**

**Bottom strap 8021**

**Bottom strap 7421**

## Pivot bearings

### Floor pivot bearing

#### Floor pivot bearing

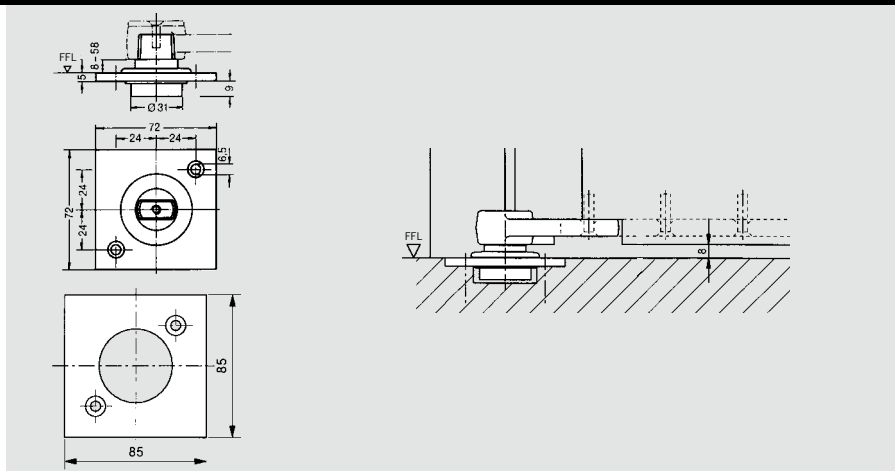
Art. No. 7471 K  
with thrust roller bearing,  
load capacity max. 200 kg.  
Order No. 45070001

Also available to special  
order with extended spindles  
in increments of 5 mm up  
to max. 50 mm.

Art. No. 7471 AX  
with angular contact roller  
bearing, load capacity  
max. 300 kg.

Order No. 45070002

**Cover plate 7471 K/AX**



### Floor pivot bearing

#### Floor pivot bearing

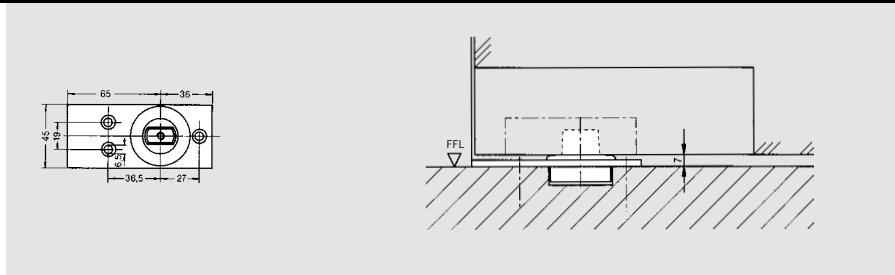
Art. No. 7475 AX  
with angular contact roller  
bearing, load capacity  
max. 300 kg.

Order No. 45070003

Also available in stainless steel.

Art. No. 8560 GE

Order No. 65540059

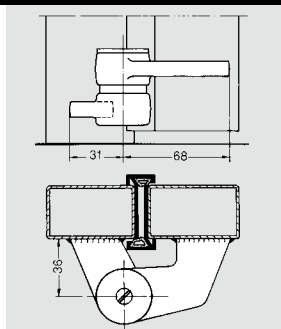


### Weld-on hinge

#### Weld-on hinge

Art. No. 7472 K  
with thrust roller bearing,  
load capacity max. 200 kg,  
and door strap 7431  
(see page 6) non-handed,  
bearing can be inserted from  
either side.

Order No. 45070011

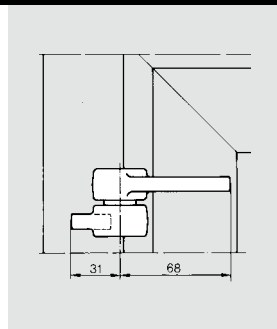


### Weld-on hinge

#### Weld-on hinge

Art. No. 7472 M  
Used as intermediate pivot  
and upper hinge; with  
eccentric pin and bush for  
adjustment after hanging the  
door; non-handed  
bearing can be inserted from  
either side.

Order No. 45900008



### Weld-on pivot bearing

#### Weld-on pivot bearing

Art. No. 7474 K  
with thrust roller bearing, load  
capacity max. 200 kg, and  
welded-on reinforcing plate.

LH (ISO 6) door:

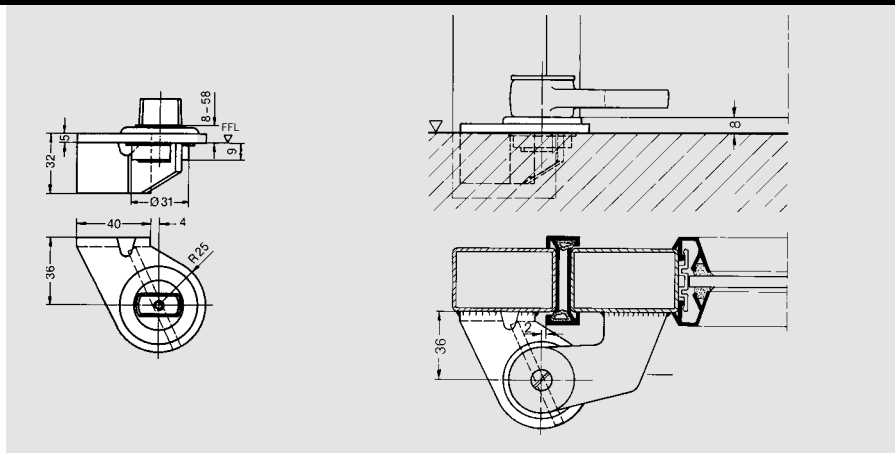
Order No. 45075007

RH (ISO 5) door:

Order No. 45071007

AX model available on request  
(300 kg capacity)

Also available to special  
order with extended spindles  
in increments of 5 mm up  
to max. 50 mm.



### Screw-on pivot bearing

#### Screw-on pivot bearing

Art. No. 7473 K  
with thrust roller bearing,  
load capacity max. 200 kg,  
and reinforcement plate  
supplied loose.

Suitable for timber, steel  
and aluminium doors.

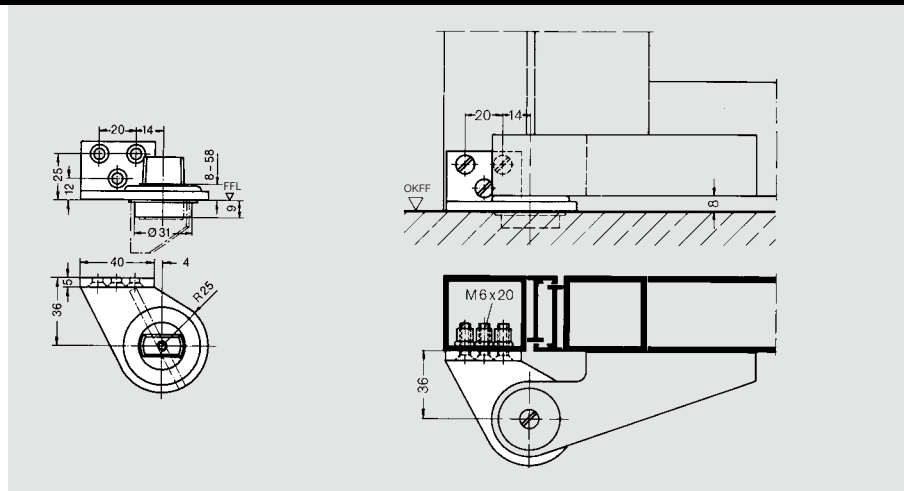
LH (ISO 6) door:

Order No. 45075005

RH (ISO 5) door:

Order No. 45071005

Also available to special  
order with extended spindles  
in increments of 5 mm up  
to max. 50 mm.

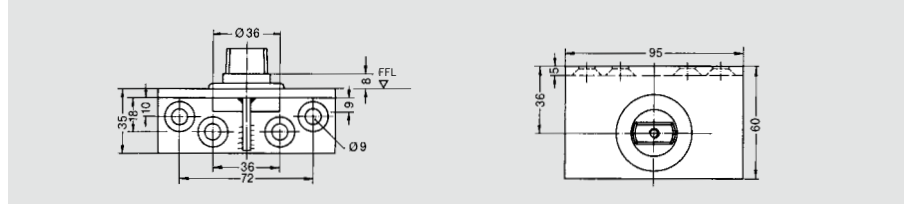


### Screw-on pivot bearing

#### Screw-on pivot bearing

Art. No. 7476 AX  
with angular-contact roller  
bearing, load capacity  
max. 300 kg.

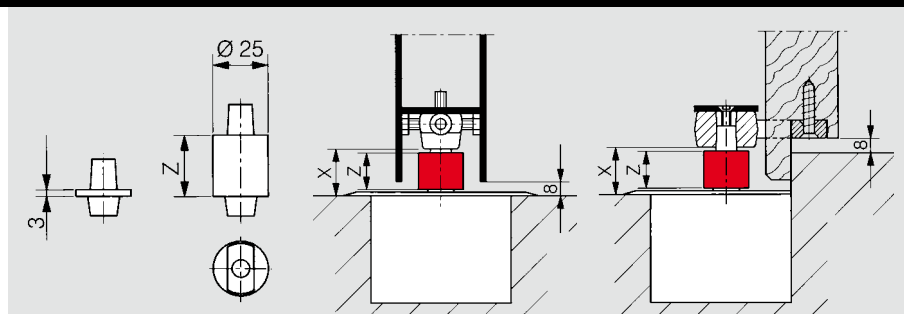
Order No. 45070012



### Spindle inserts

#### Spindle inserts, zinc-plated, for DORMA BTS floor springs

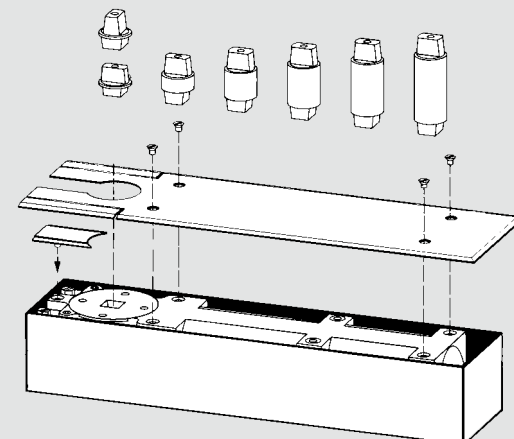
Length in mm	Order No.
Standard	45200401
+ 5	45200402
+ 7.5	45200403
+ 10	45200404
+ 12.5	45200419
+ 15	45200405
+ 20	45200406
+ 25	45200407
+ 28	45200414
+ 30	45200408
+ 35	45200409
+ 40	45200410
+ 45	45200411
+ 50	45200412



Calculating the necessary length of spindle extension:

Extension = X – Floor clearance (normally 8 mm)

Collar height Z of the extended spindle inserts = Spindle extension length + 3 mm  
(collar height of the standard spindle insert)



**NOTE:** Closer and bottom  
strap must be installed  
per fixing instructions for  
door clearances shown  
to be valid. Closers with  
extended spindle inserts  
are used with thresholds,  
carpeted floors, terazzo  
pans or in cases where more  
clearance between door and  
floor is required. Surface  
finish: Zinc plated.

### Sealing compound

#### DORMA sealing compound

2300

0.5 kg

Order No. 45090059

### Cement boxes

for floor springs	Order No.
DORMA BTS 80	45090056
DORMA BTS 75	45090057
DORMA BTS 84	81000001



**Door Control**



**Automatic**



**Glass Fittings  
and Accessories**



**Security/Time  
and Access (STA)**



**Movable Walls**

**Door Control Division worldwide**

**Central Europe**

DORMA GmbH + Co. KG  
DORMA Platz 1  
D-58256 Ennepetal  
Phone +49 2333 793-0  
Fax +49 2333 793-495

**Australasia**

DORMA Door Controls Pty. Ltd.  
52, Abbott Road  
Hallam/Victoria 3803  
Australia  
Phone +61 3 8795 0666  
Fax +61 3 8795 0280

**China/Hong Kong**

DORMA Door Controls  
(Suzhou) Co. Ltd.  
No. 9, Hong Feng Road  
Suzhou Singapore Industrial Park  
Suzhou, 215021  
P.R. of China  
Phone +86 512 67612481  
Fax +86 512 67614582

**DORMA Door Controls Pte. Ltd.**

Room 701, Technology Plaza  
651 King's Road  
North Point  
Hong Kong  
Phone +852 25034632  
Fax +852 28875370

**Emerging Markets**

DORMA GmbH + Co. KG  
DORMA Platz 1  
D-58256 Ennepetal  
Phone +49 2333 793-0  
Fax +49 2333 793-495

**DORMA Door Controls (Pty.) Ltd.**

Kings Court  
4A Mineral Crescent  
ZA-2000 Crown/Gauteng  
South Africa  
Phone +27 11 8300280  
Fax +27 11 8300291

**Far East**

DORMA Far East Pte. Ltd.  
No. 31 Gul Lane  
Singapore 629425  
Phone +65 6268 7633  
Fax +65 6265 7995

**France**

DORMA France S.A.S.  
Zone Europarc  
Immeuble Mega 42  
42, Rue Eugène Dupuis  
F-94046 Créteil Cedex  
Phone +33 1 41942400  
Fax +33 1 41942401

**Gulf**

DORMA Gulf Door Controls FZE  
Jebel Ali Free Zone South  
Plot No. S 20135  
Road No. SW 301 G  
P.O. Box 17268  
Dubai – United Arab Emirates  
Phone +971 4 8020400  
Fax +971 4 8869100/8869101

**North America**

DORMA Architectural Hardware  
DORMA Drive, Drawer AC  
Reamstown, PA 17567-0411  
Phone +1 800 5238483  
Fax +1 800 2749724

**Scanbalt**

DORMA Danmark A/S  
Sindalvej 6-8  
DK-2610 Rødovre  
Phone +45 44 543000  
Fax +45 44 543001

**South America**

DORMA Sistemas de Controles  
para Portas Ltda.  
Av. Piracema, 1400  
Centro Empresarial Tambore  
CEP 06400-933 Barueri/  
São Paulo, Brasil  
Phone +55 11 46899280  
Fax +55 11 46899215

**South-East Europe**

DORMA AUSTRIA GmbH  
Pebering Strass 22  
A-5301 Eugendorf  
Phone +43 6225 284880  
Fax +43 6225 28491

**South Europe**

DORMA Italiana S.r.l.  
Via. Canova 44/46  
I-20035 Lissone (MI)  
Phone +39 039 244031  
Fax +39 039 24403310

**DORMA Ibérica, S.A.**

Camino San Martin de la Vega, 4  
E-28500 Arganda del Rey  
(Madrid)  
Phone +34 91 8757850  
Fax +34 91 8757881

**UK/Ireland**

DORMA UK Ltd.  
Wilbury Way  
Hitchin  
GB-Hertfordshire SG4 0AB  
Great Britain  
Phone +44 1462 477600  
Fax +44 1462 477601