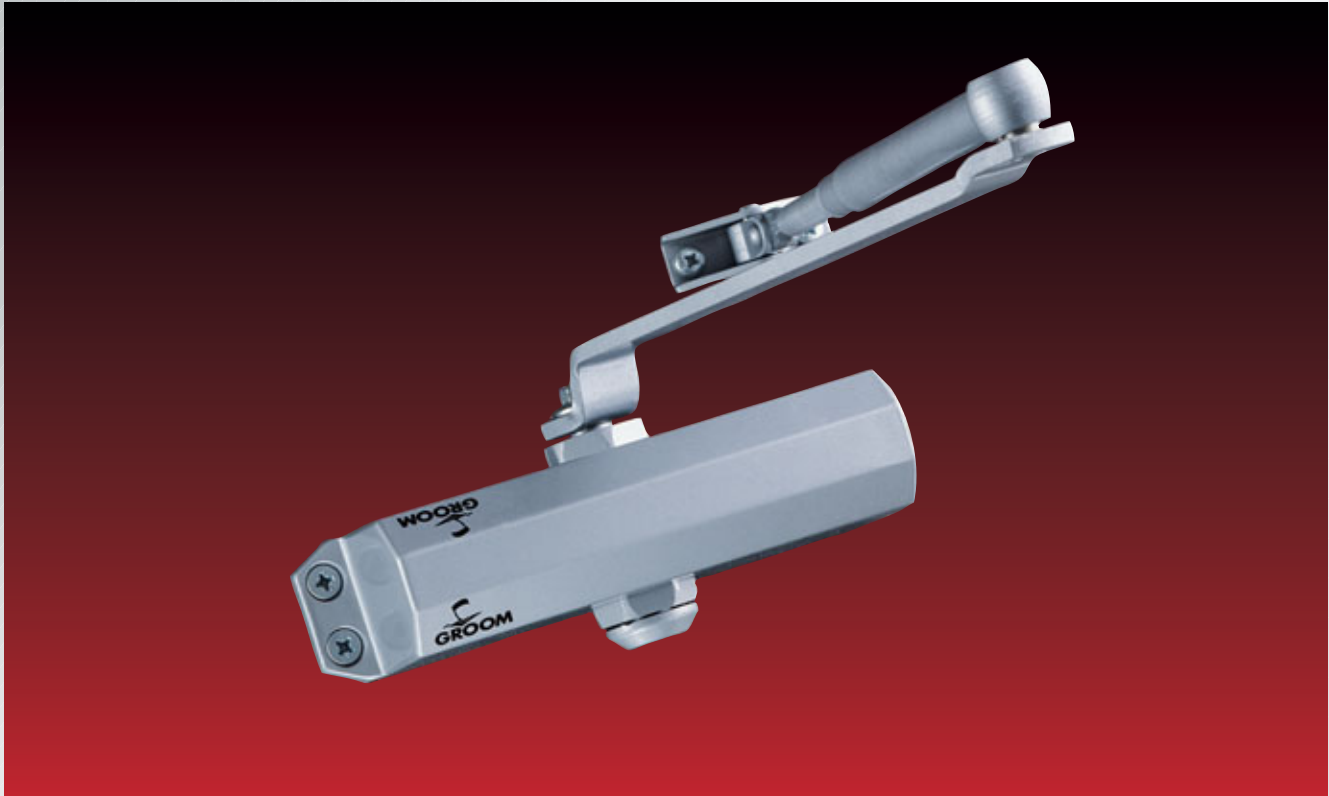


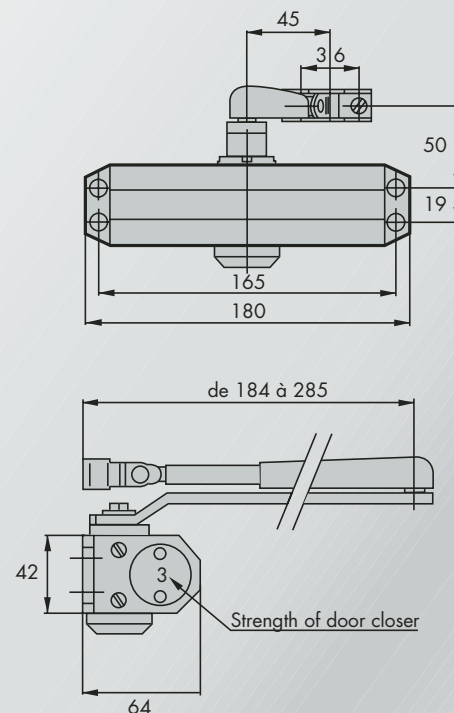


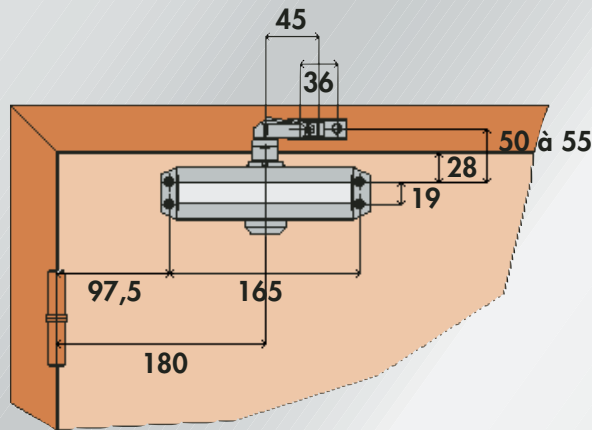
# GR101



The economical solution for standard doors

TECHNICAL CHARACTERISTICS	<b>GR101</b>
Closing force	<b>EN 3</b>
Maximum dimension of door	<b>&lt; 950 mm</b>
Maximum weight of door	<b>&lt; 60 kg</b>
Closing speed adjustable 180° - 15°	<b>YES</b>
Latching action adjustable 15° - 0°	<b>YES</b>
Backcheck adjustable 70° - 180°	<b>NO</b>
Delayed action adjustable 105° - 70°	<b>NO</b>
Standard arm	<b>YES</b>
Standard colours: silver, white, black	<b>YES</b>
RAL Colours	<b>OPTION</b>
High-Quality Finishes	<b>NO</b>

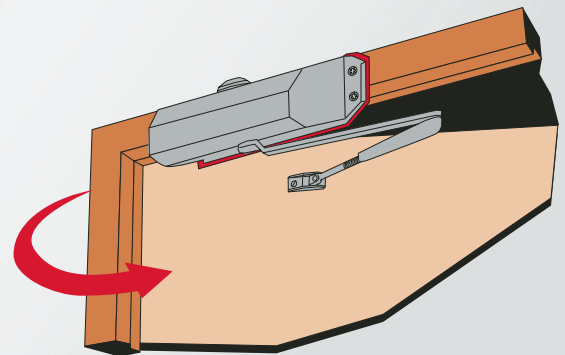
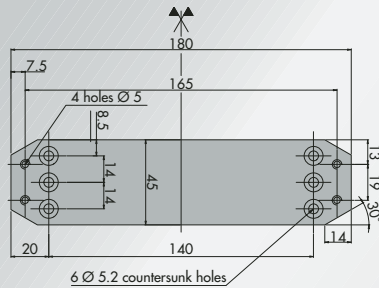




**ACCESSORIES**

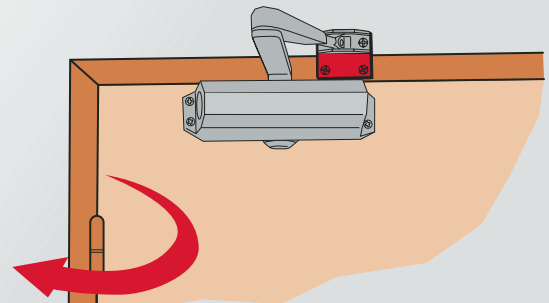
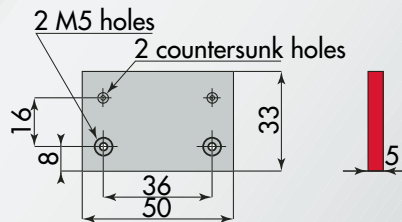
**STRAIGHT SUPPORT PLATE**

With offset fixings for mounting on body of narrow frame



**FITTED LUG SUPPORT PLATE**

For mounting arm on narrow frame



<b>REFERENCES</b>	<b>GR101</b>
-------------------	--------------

**COMPLETE DOOR CLOSER**

10131X	GR101-3 STANDARD ARM SILVER
--------	-----------------------------

**ACCESSORIES**

57510X	STRAIGHT SUPPORT PLATE GR101
69340X	FITTED LUG SUPPORT PLATE

**Code X = Finish Code**

**0** = white Ral 9016    **1** = silver    **5** = black Ral 9005    **7** = white Ral 9010    **8** = other Ral (surcharge)