

Drawer  
**SLIDES**

for steel & wood cabinets



*- high quality furniture fittings*



All specifications stated in the catalogue are errors and omissions excepted

SISO A/S tager forbehold for trykfejl samt ændringer i produktets specifikationer.

Für Druckfehler und Irrtümer ist jede Haftung ausgeschlossen. Produktänderungen behalten wir uns vor.



SISO A/S  
MILEPARKEN 11  
DK - 2740 SKOVLUNDE  
(COPENHAGEN)  
DENMARK  
PHONE: (+45) 45 830 900  
FAX: (+45) 45 830 444

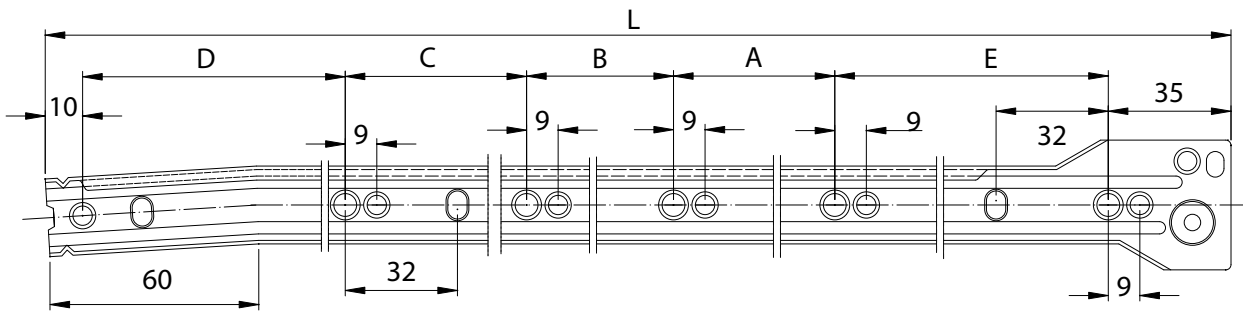
DISTRIBUTOR

DRAWER SLIDE 6001	5
SOFT CLOSE DEVICE F/WOODEN DRAWERS	6
SOFT CLOSE DEVICE F/METAL DRAWERS	7
DRAWER SLIDE 8817	9
DRAWER SLIDE 8827	10
DRAWER SLIDE 8827 W/ STOPPER & LEVER RELEASE	12
DRAWER SLIDE NJ 3600	14
DRAWER SLIDE NJ 4500	17
DRAWER SLIDE ME 4500 F/ METAL CABINETS	19
DRAWER SLIDE ME 4950 F/ METAL CABINETS	21
DRAWER SLIDE - PUSH TO OPEN- PTO 4500	23
DRAWER SLIDE SELF-CLOSING & SOFT STOP	25
INVISIBLE SLIDE SEMI EXTENSION W/PEG LEVELLER	26
INVISIBLE SLIDE SEMI EXTENSION W/QUICK RELEASE	28
INVISIBLE SLIDE FULL EXTENSION W/PEG LEVELLER	30
INVISIBLE SLIDE FULL EXTENSION W/QUICK RELEASE	32
INVISIBLE SLIDE SEMI EXTENSION PTO W/QUICK RELEASE	34
KEYBOARD SLIDE NJ 2060	36
KEYBOARD DRAWER "PROFI"	38
KEYBOARD DRAWER "PROFI W/MOUSE PAD"	39
KEYBOARD DRAWER #444	40
PENCIL TRAYS	41
CD/DVD-HOLDER	43

# DRAWER SLIDE 6001

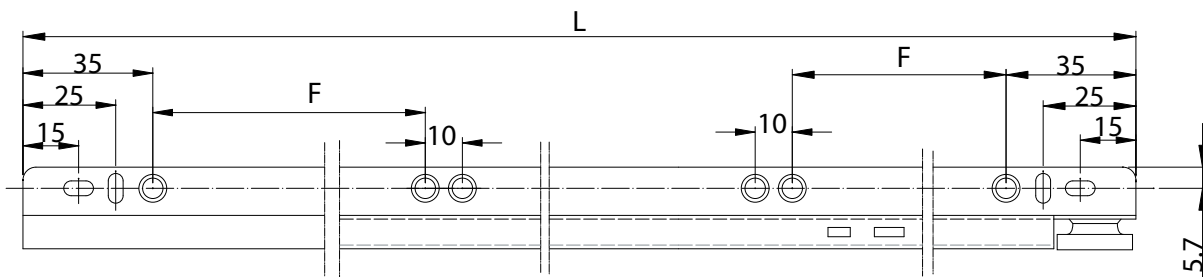


Cabinet rail



Slide length L	A	B	C	D	E	Finish	Item No.
250 mm				45 mm		White	# 16.10.439
300 mm			96 mm	31 mm	128 mm	White	# 16.10.440
350 mm			96 mm	81 mm	128 mm	White	# 16.10.452
400 mm	96 mm		96 mm	35 mm	128 mm	White	# 16.10.470
450 mm	96 mm		128 mm	53 mm	128 mm	White	# 16.10.475
500 mm	96 mm	128 mm	64 mm	39 mm	128 mm	White	# 16.10.480
550 mm	96 mm	128 mm	128 mm	25 mm	128 mm	White	# 16.10.490
600 mm	96 mm	128 mm	128 mm	75 mm	128 mm	White	# 16.10.500

Drawer rail ( seen from the top)



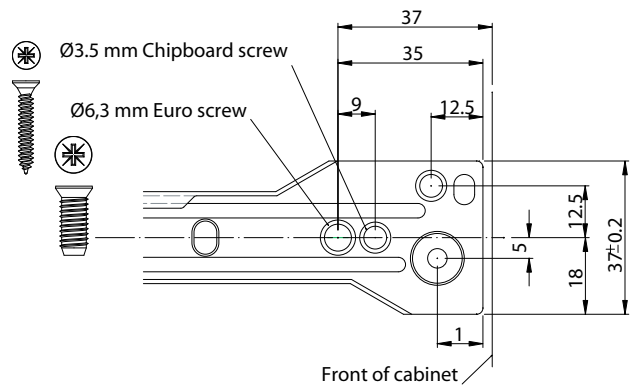
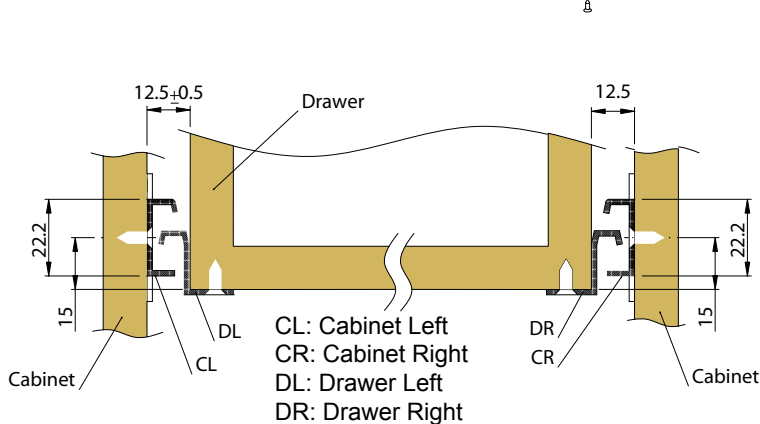
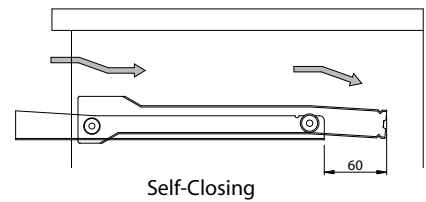
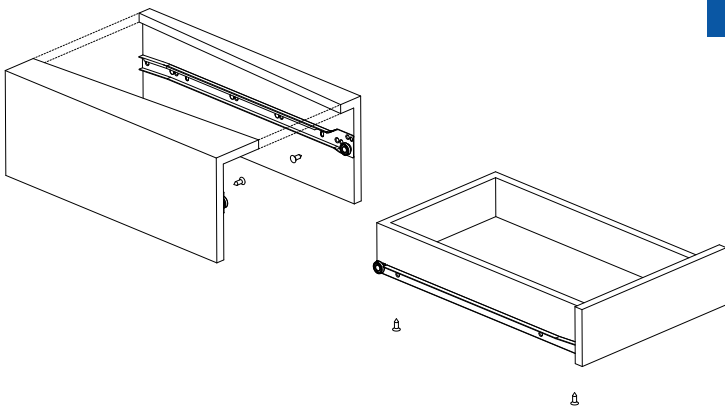
Slide length L	F	Finish	Item No.
250 mm	85 mm	White	# 16.10.439
300 mm	110 mm	White	# 16.10.440
350 mm	135 mm	White	# 16.10.452
400 mm	160 mm	White	# 16.10.470
450 mm	185 mm	White	# 16.10.475
500 mm	210 mm	White	# 16.10.480
550 mm	235 mm	White	# 16.10.490
600 mm	172 mm	White	# 16.10.500





## DRAWER SLIDE 6001

- Features:** Self closing the last 60 mm  
Bottom mounted – ¾ extension
- Material:** Steel - 1,2 mm after coating
- Finish:** Epoxy powder coated
- Colour:** White RAL 9003,  
Black RAL 9005,  
Brown RAL 8017 &  
Silver RAL 9006  
  
Other colours on request
- Size:** From 250 to 600 mm
- Load capacity:** 15 Kg.
- Fixation:** Euro screws Ø6,3 mm or  
chipboard screws Ø3,5 mm  
  
(Screws available on request)





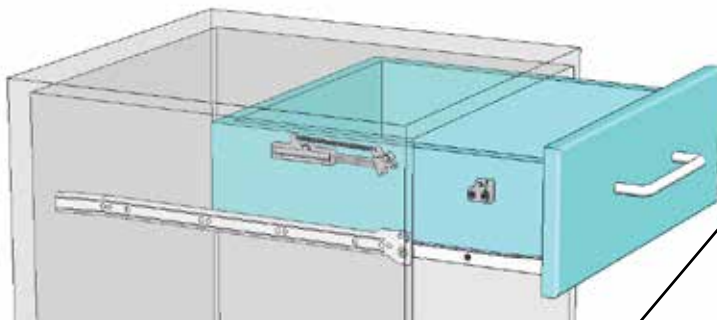
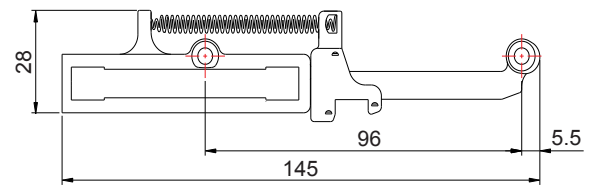
## SOFT CLOSE DEVICE F/WOODEN DRAWER

**Features:** Soft closing  
 (By gas cylinder, travel 45 mm)  
 Self-closing and soft stop  
 For wooden cabinet  
 Installation width: 10 ~ 13,5 mm  
 Passed 30.000 cycles with 30 kilo

**Material:** Plastic

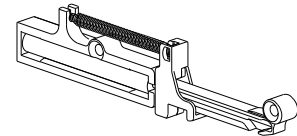
**Fixation:** Chipboard screws  $\varnothing$  4 x 18 mm

**Item No.:** 16.10.600

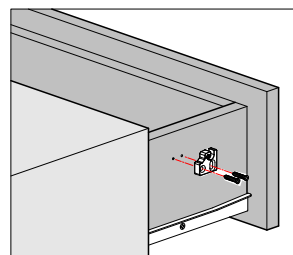
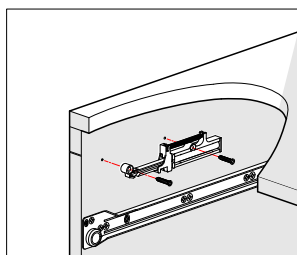


### Including

1. Soft closing system  
 (For mounting to mabinet)



2. Striker  
 (For mounting to drawer)

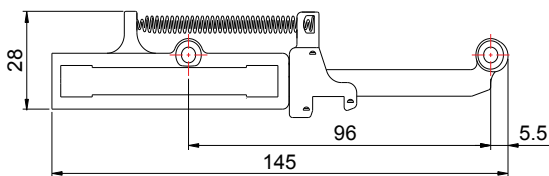


# SOFT CLOSE DEVICE F/METAL DRAWERS

- high quality furniture fittings



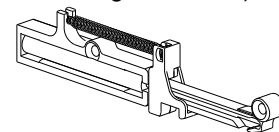
## SOFT CLOSE DEVICE F/METAL DRAWERS



- Features:** Soft closing  
(By gas cylinder, travel 45 mm)  
Self-closing and soft stop  
For metal cabinet  
Installation width: 10 ~ 13,5 mm  
Passed 30.000 cycles with 30 kilo
- Material:** Plastic
- Fixation:** Chipboard screws  $\text{\O}4 \times 18 \text{ mm}$   
Screw M4 x 10 mm
- Item No.:** 16.10.610

### Including

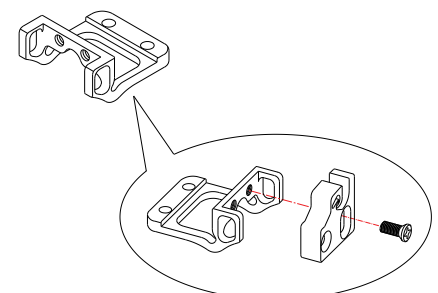
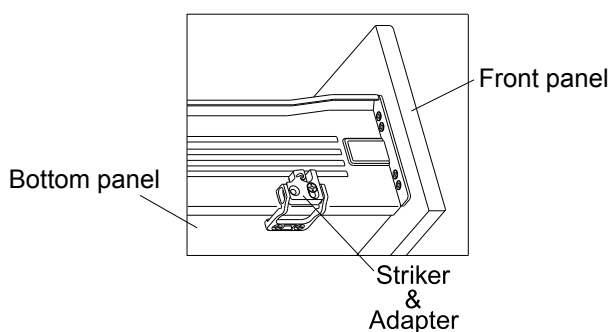
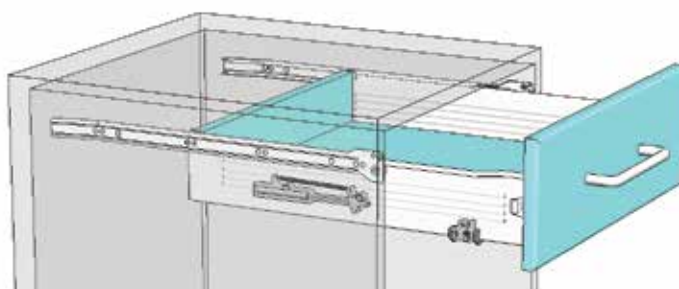
1. Soft closing system  
(For mounting to cabinet)



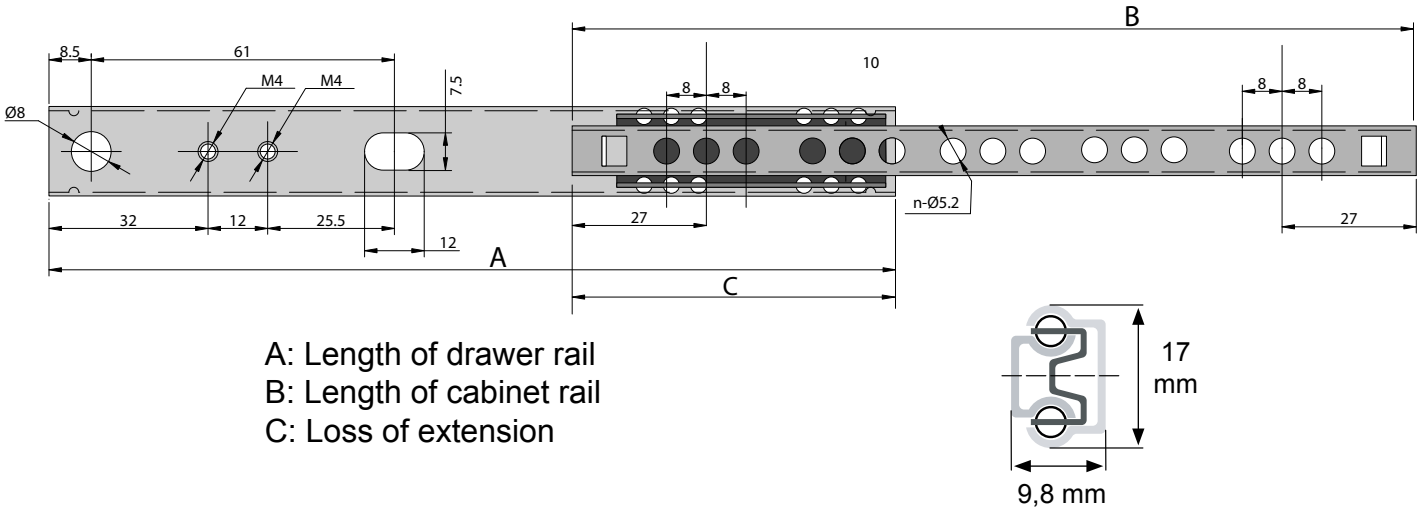
2. Striker



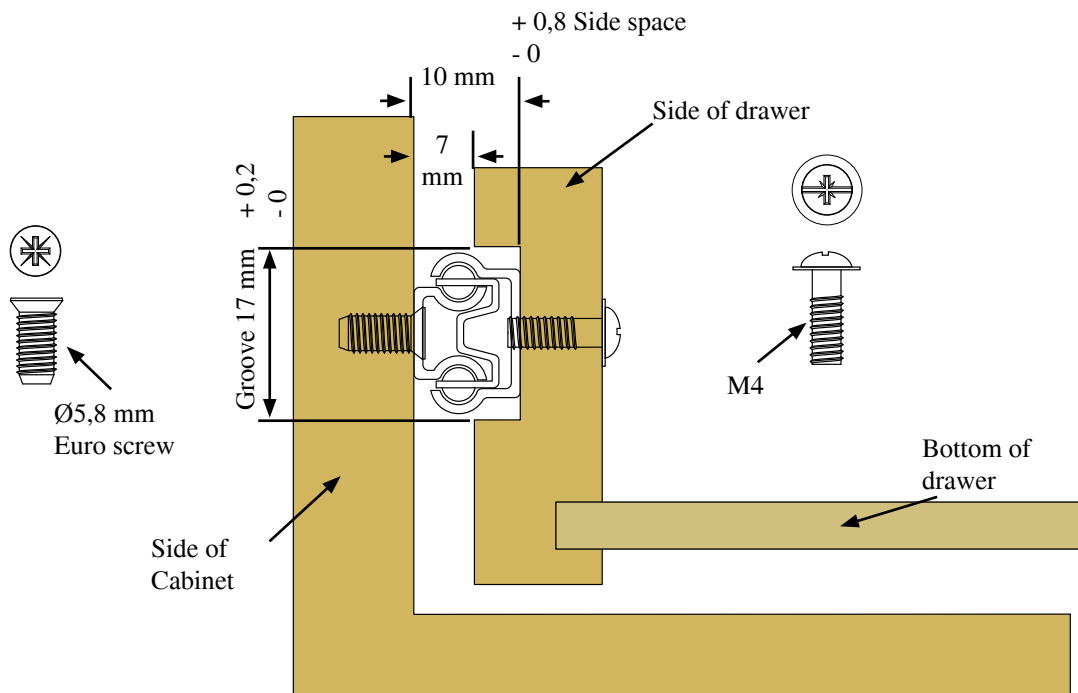
3. Adapter  
(Connector striker to bottom panel)



# DRAWER SLIDE 8817



Max. drawer length	A	B	C	Finish	Item No.
313 mm	182 mm	181 mm	56 mm	BZP	# 16.10.260
347 mm	214 mm	212 mm	55 mm	BZP	# 16.10.261
410 mm	246 mm	246 mm	77 mm	BZP	# 16.10.266
458 mm	278 mm	275 mm	75 mm	BZP	# 16.10.276
521 mm	310 mm	310 mm	100 mm	BZP	# 16.10.277
586 mm	342 mm	340 mm	100 mm	BZP	# 16.10.279
780 mm	438 mm	438 mm	96 mm	BZP	# 16.10.281





# DRAWER SLIDE 8817

- high quality furniture fittings



## DRAWER SLIDE 8817

**Features:** Side mounted -  $\frac{3}{4}$  extension  
Two way travel  
Steel ball bearings

**Material:** Steel – 0,8 mm

**Finish:** Bright zinc plated (BZP)

**Size:** From 313 to 780 mm

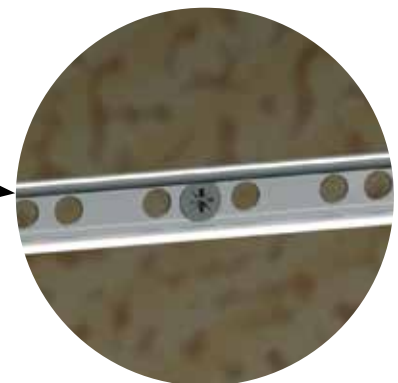
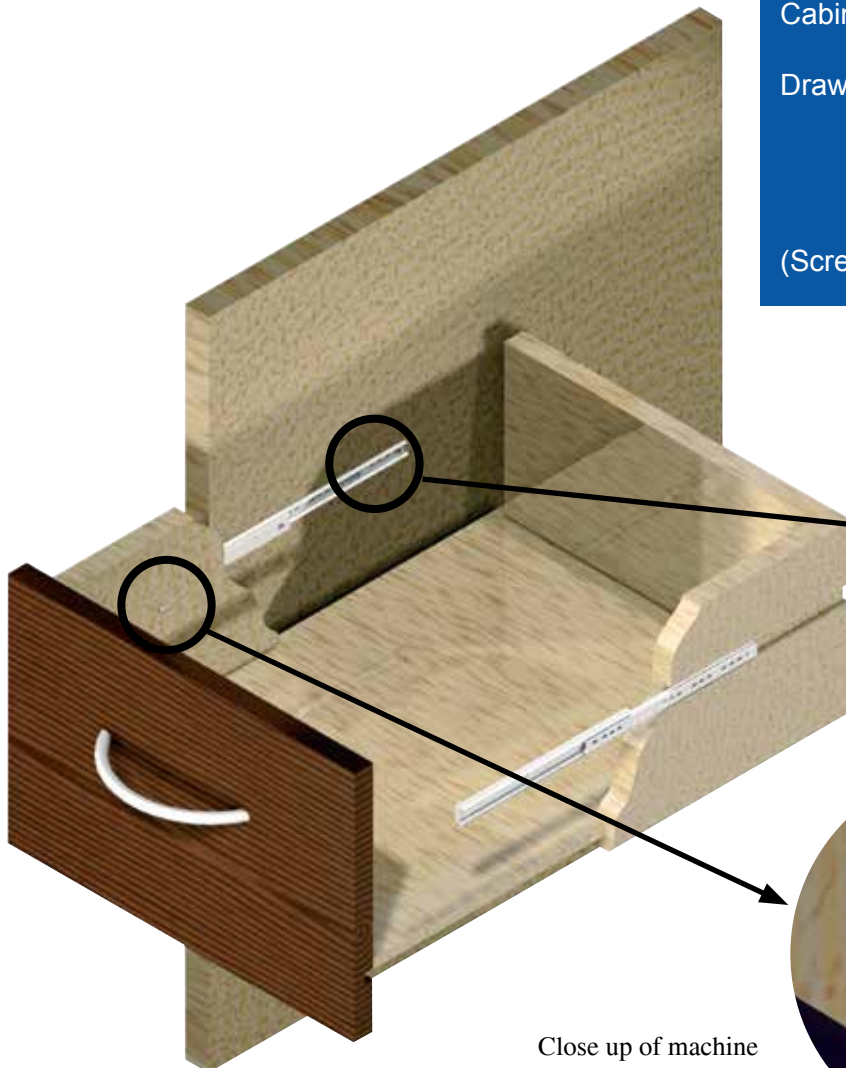
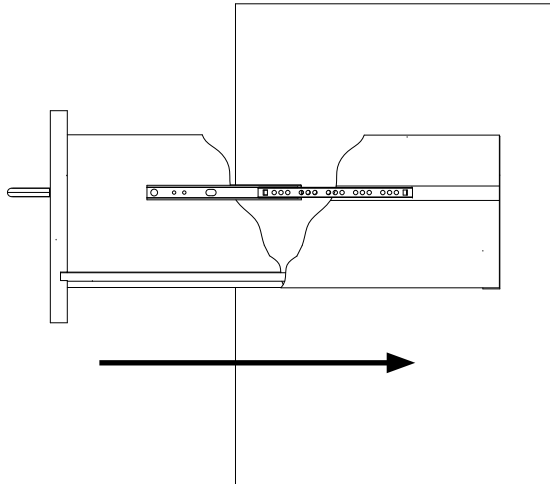
**Load capacity:** 10 Kg.

### **Fixation:**

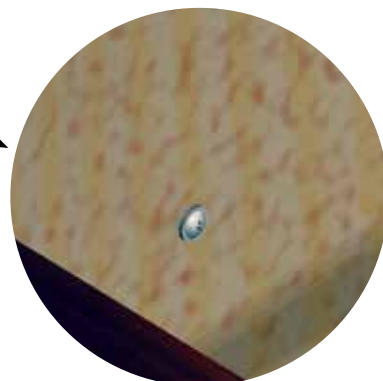
**Cabinet rail:** Euro screws Ø5,8 mm

**Drawer rail:** Machine screws M4.  
Two fixing holes available.  
32mm & 44 mm from edge of slide

(Screws available on request)

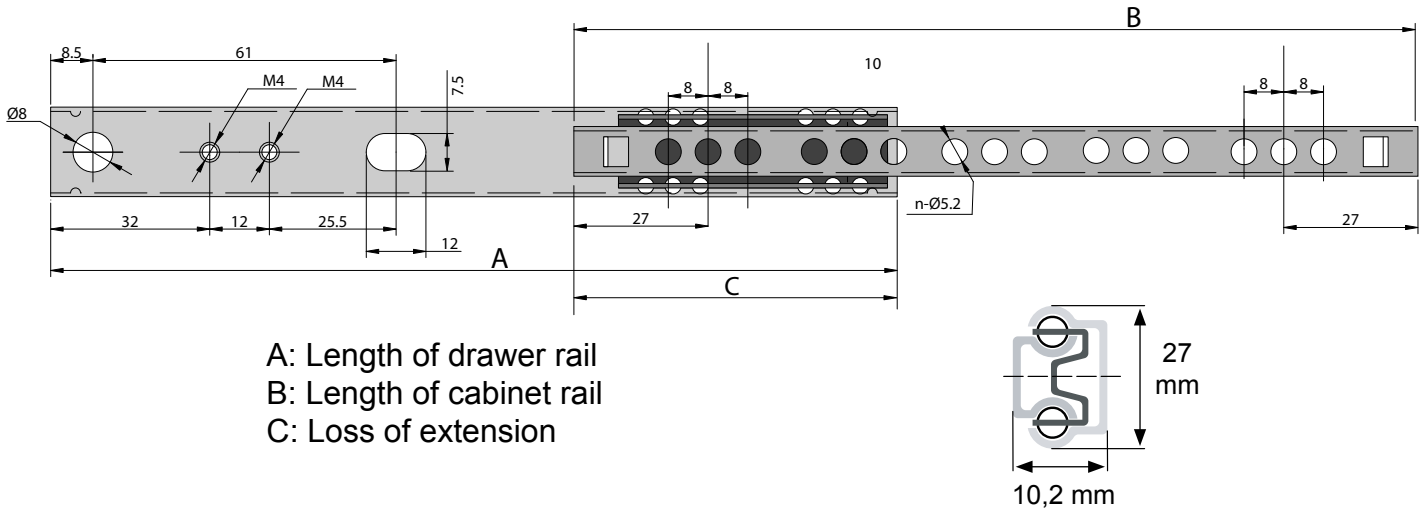


Close up of euro screw

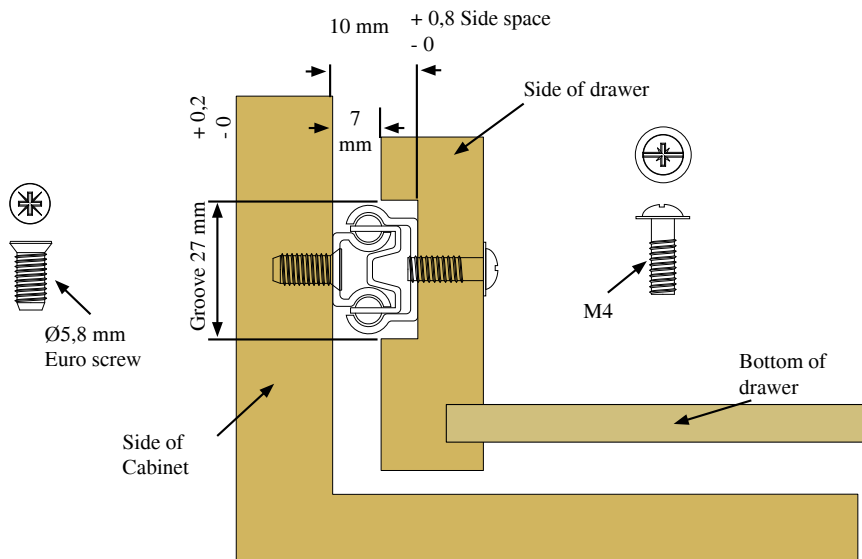


Close up of machine screw

# DRAWER SLIDE 8827



Max.drawer length	A	B	C	Finish	Item No.
311 mm	182 mm	182 mm	49 mm	BZP	# 16.10.031
380 mm	214 mm	214 mm	48 mm	BZP	# 16.10.032
420 mm	246 mm	246 mm	72 mm	BZP	# 16.10.033
483 mm	278 mm	278 mm	73 mm	BZP	# 16.10.034
548 mm	310 mm	310 mm	72 mm	BZP	# 16.10.035
588 mm	342 mm	342 mm	96 mm	BZP	# 16.10.036
756 mm	438 mm	438 mm	120 mm	BZP	# 16.10.039



# DRAWER SLIDE 8827

- high quality furniture fittings



## DRAWER SLIDE 8827

**Features:** Side mounted -  $\frac{3}{4}$  extension  
Two way travel  
Steel ball bearings

**Material:** Steel – 1,2 mm

**Finish:** Bright zinc plated (BZP)

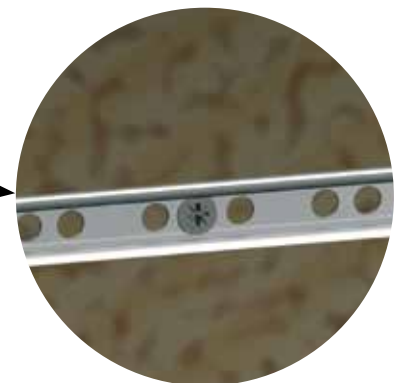
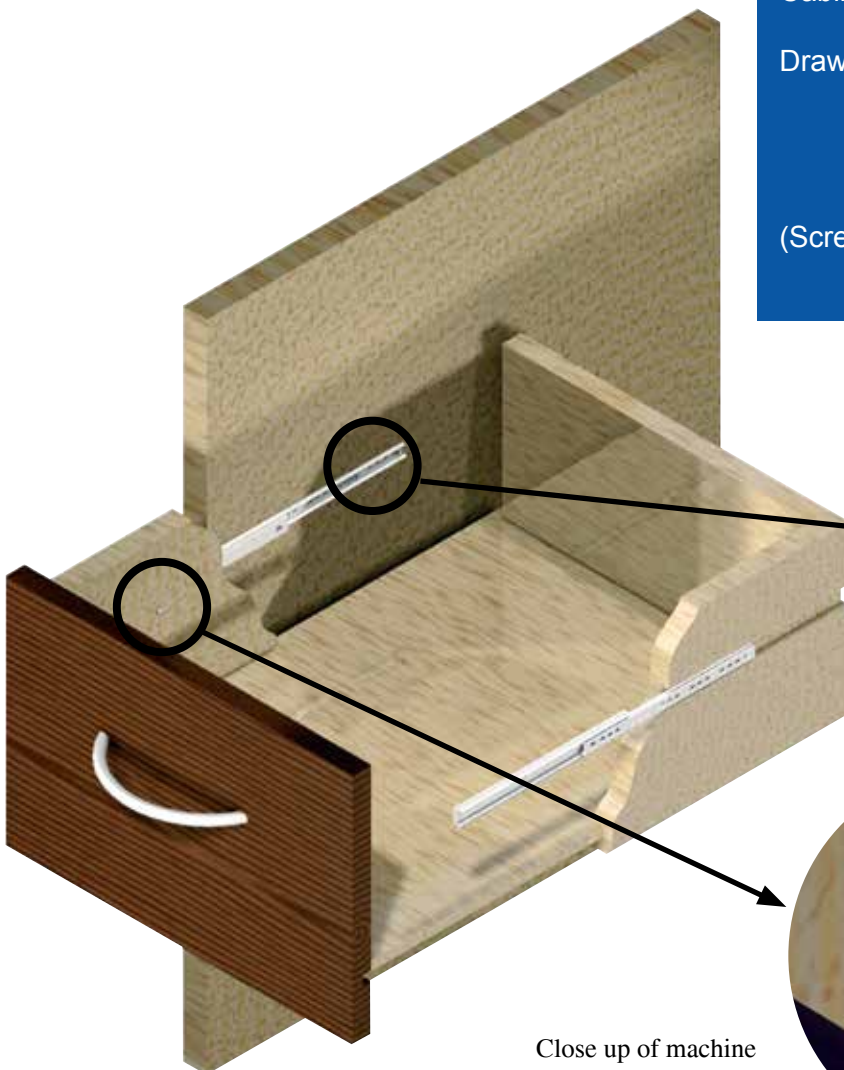
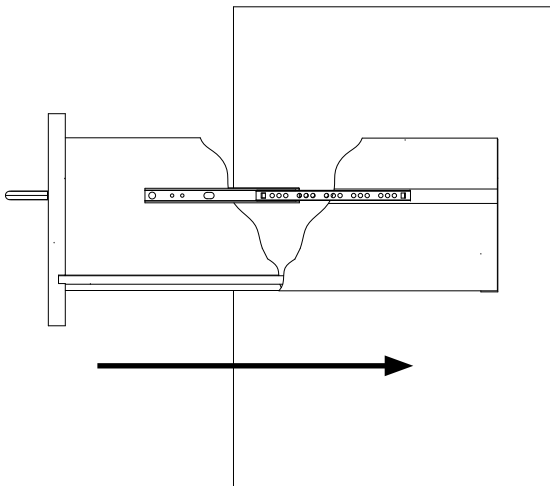
**Size:** From 313 to 756 mm

**Load capacity:** 15 Kg.

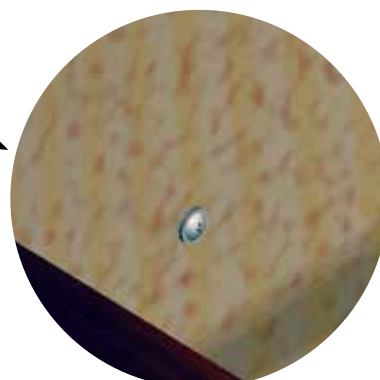
**Fixation:**  
Cabinet rail: Euro screws Ø5,8 mm

Drawer rail: Machine screws M4.  
Two fixing holes available.  
32mm & 44 mm from edge of slide

(Screws available on request)

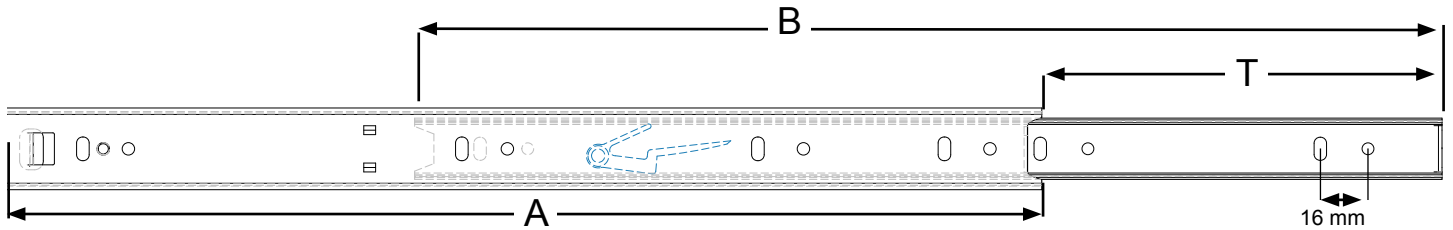


Close up of euro screw

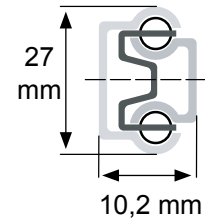


Close up of machine screw

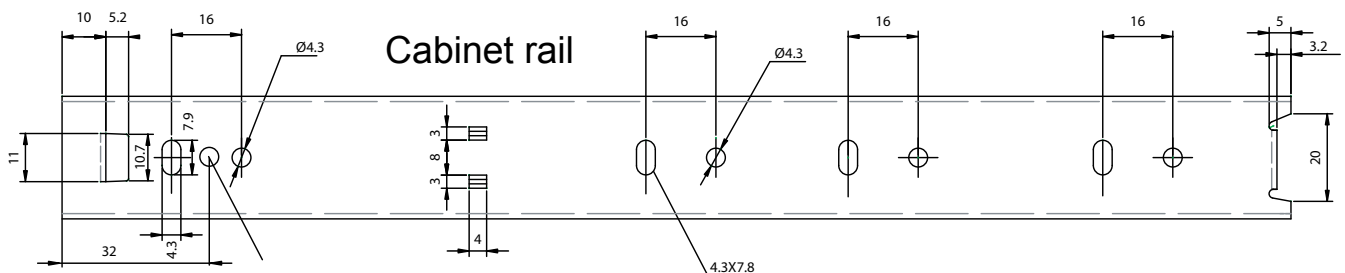
# DRAWER SLIDE 8827 W/ STOPPER & LEVER RELEASE



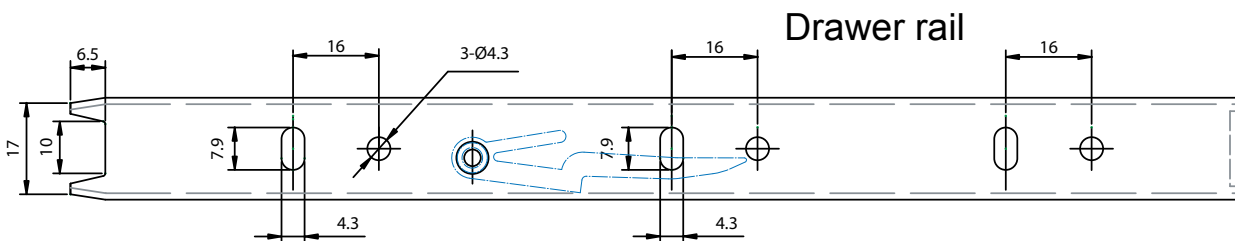
A: Length of cabinet rail  
B: Length of drawer rail



Slide length A	B	Travel length T	Finish	Item No.
250 mm	246,5 mm	166 mm	BZP	# 16.10.045
300 mm	296,5 mm	216 mm	BZP	# 16.10.046
350 mm	346,5mm	254 mm	BZP	# 16.10.047
400 mm	396,5 mm	279 mm	BZP	# 16.10.048
450 mm	446,5 mm	305 mm	BZP	# 16.10.049
500 mm	496,5 mm	330 mm	BZP	# 16.10.050
550 mm	546,5 mm	355 mm	BZP	# 16.10.051
600 mm	596,5 mm	381 mm	BZP	# 16.10.052
650 mm	646,5 mm	406 mm	BZP	# 16.10.053
700 mm	696,5 mm	432 mm	BZP	# 16.10.054

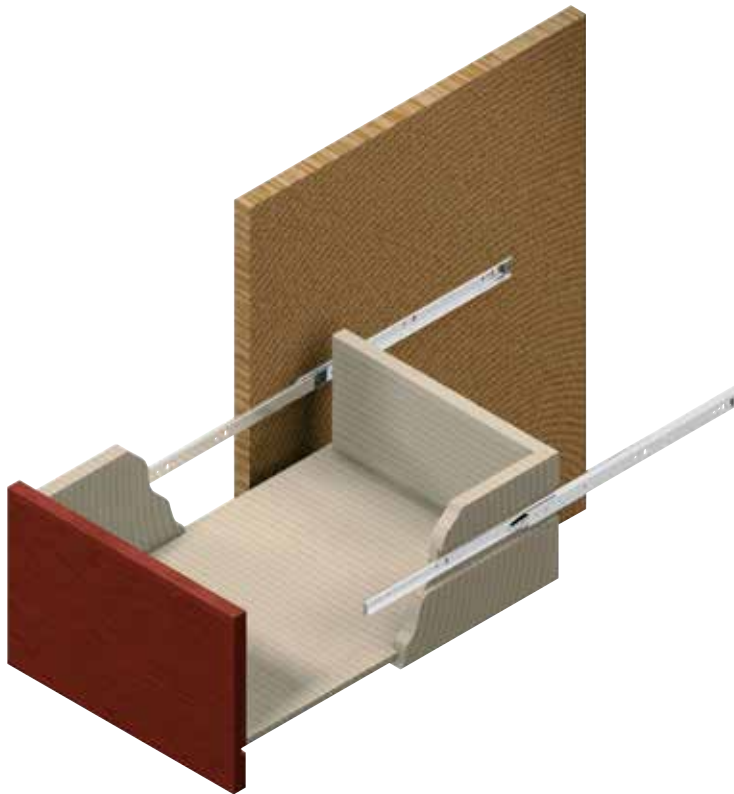


\*Extra mounting hole  
M4 for extra stability

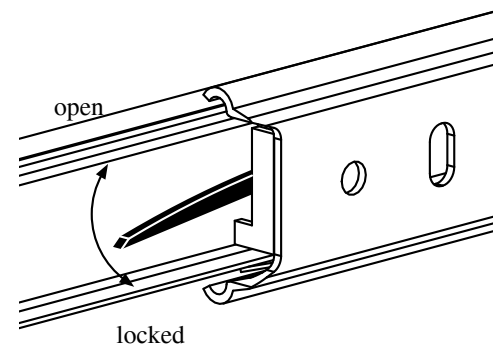
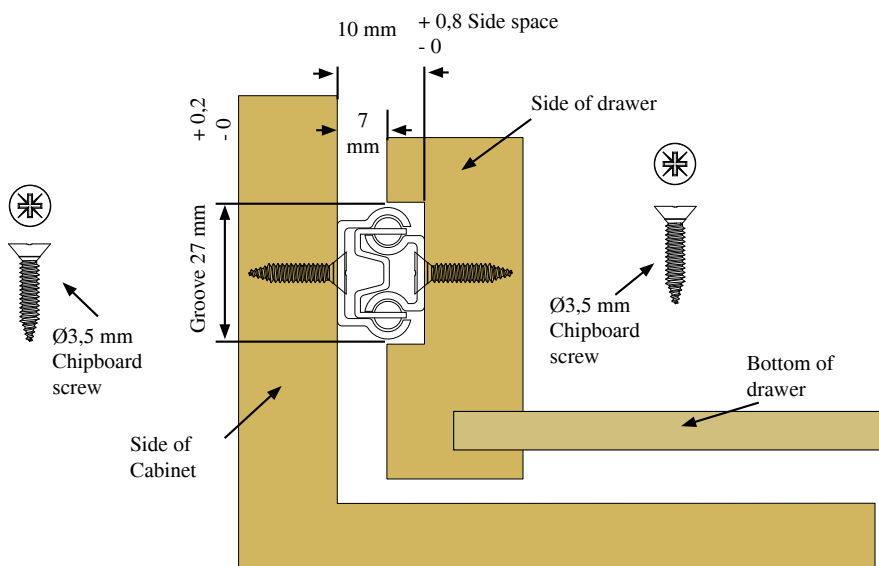




## DRAWER SLIDE 8827 W/ STOPPER & LEVER RELEASE

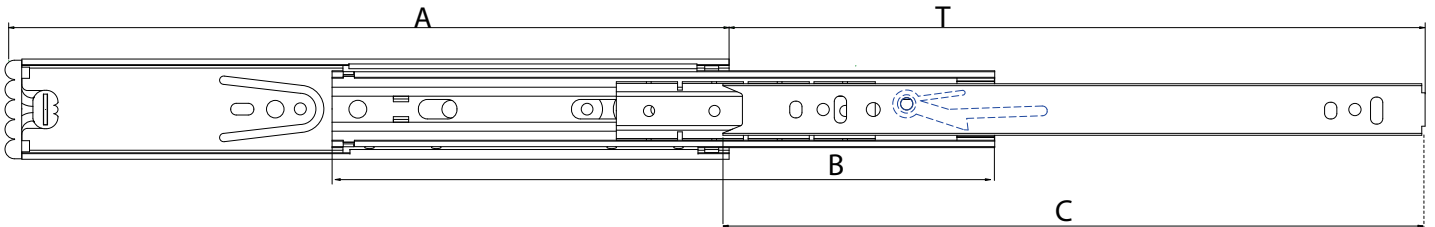


- Features:** Side mounted – ¾ extension  
Locking action, when closed  
Steel ball bearings  
Release lever
- Material:** Steel – 1,2 mm
- Finish:** Bright zinc plated (BZP)
- Size:** From 250 to 700 mm
- Load capacity:** 15 kg
- Fixation:**  
Cabinet rail: Chipboard screws Ø3,5 mm and machine screws M4 for extra stability  
Drawer rail: Chipboard screws Ø3,5 mm  
(Screws available on request)

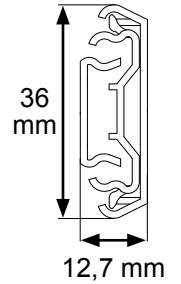


**Release lever**  
To detach drawer rail from centre rail

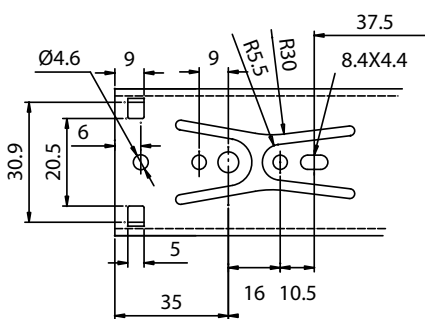
# DRAWER SLIDE NJ 3600



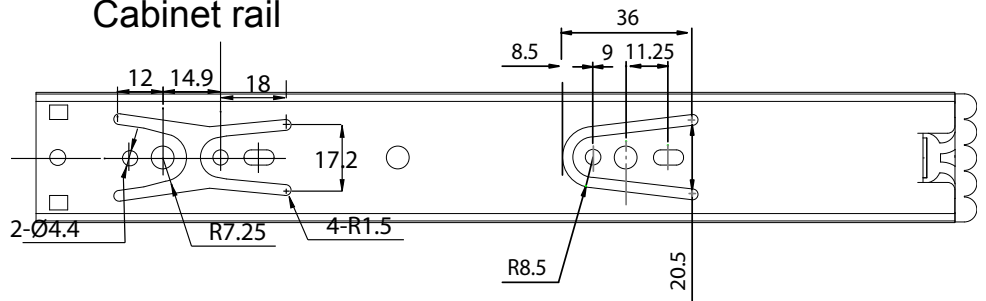
- A: Length of cabinet rail
- B: Length of centre rail
- C: Length of drawer rail



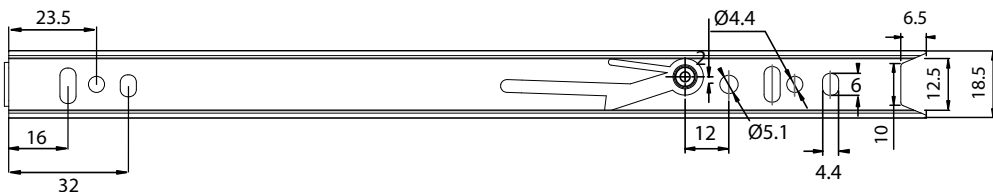
Slide length A	B	C	Travel length T	Finish	Item No.
254 mm	238 mm	252 mm	254 mm	BZP	# 16.13.190
305 mm	289 mm	303 mm	305 mm	BZP	# 16.13.191
356 mm	339 mm	354 mm	355 mm	BZP	# 16.13.192
406 mm	390 mm	405 mm	406 mm	BZP	# 16.13.193
457 mm	441 mm	456 mm	457 mm	BZP	# 16.13.194
508 mm	492 mm	506 mm	508 mm	BZP	# 16.13.195
559 mm	543 mm	557 mm	559 mm	BZP	# 16.13.196
610 mm	593 mm	608 mm	609 mm	BZP	# 16.13.197
660 mm	644 mm	659 mm	660 mm	BZP	# 16.13.198
711 mm	695 mm	710 mm	711 mm	BZP	# 16.13.199



Cabinet rail



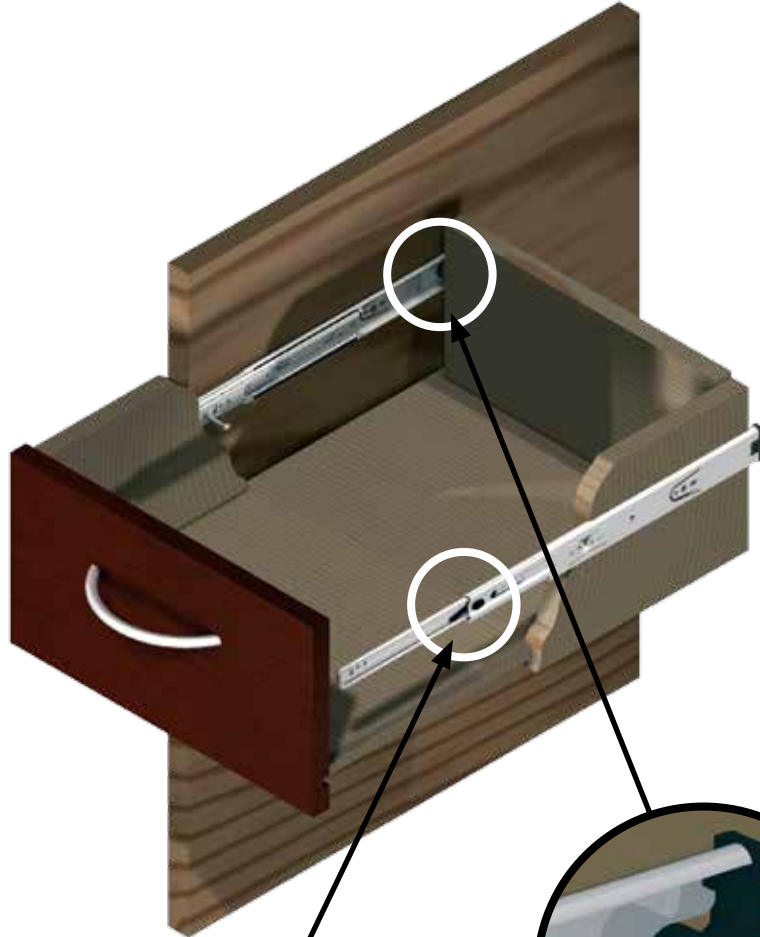
Drawer rail





## DRAWER SLIDE NJ 3600

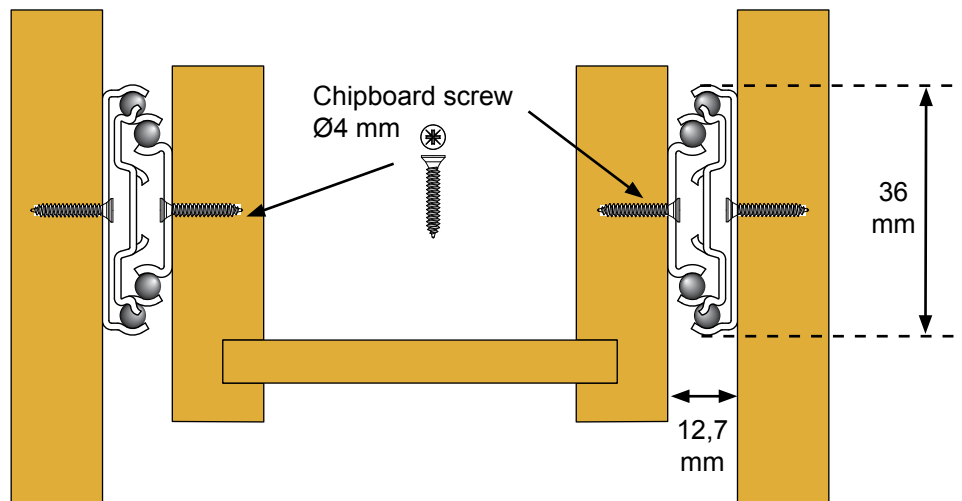
- |                |  |
|----------------|--|
| Features:      | Side mounted<br>Full extension<br>32 mm hole system<br>Steel ball bearings<br>Locking action, when closed<br>Release lever |
| Material:      | Cold rolled steel – 1,2 mm   |
| Finish:        | Bright zinc plated (BZP)   |
| Size:          | From 254 mm to 711 mm  |
| Load capacity: | 40 kg  |
| Fixation:      | Chipboard screws Ø4 mm<br>(Screws available on request)  |

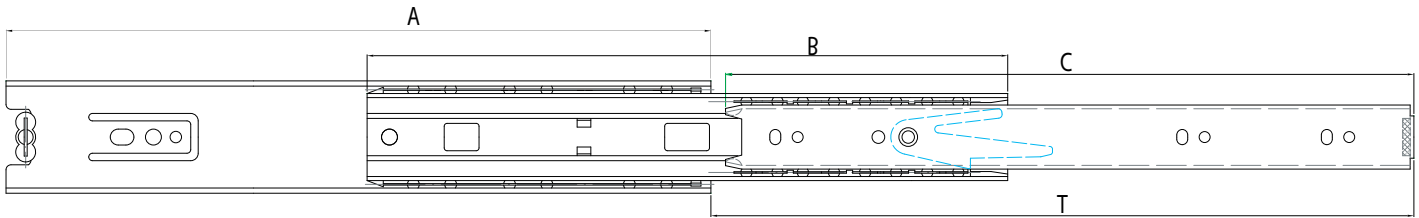


**Stopper**  
Plastic stopper for locking action, when closed

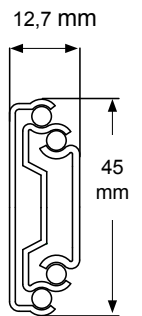


**Release lever**  
To detach drawer rail from centre rail



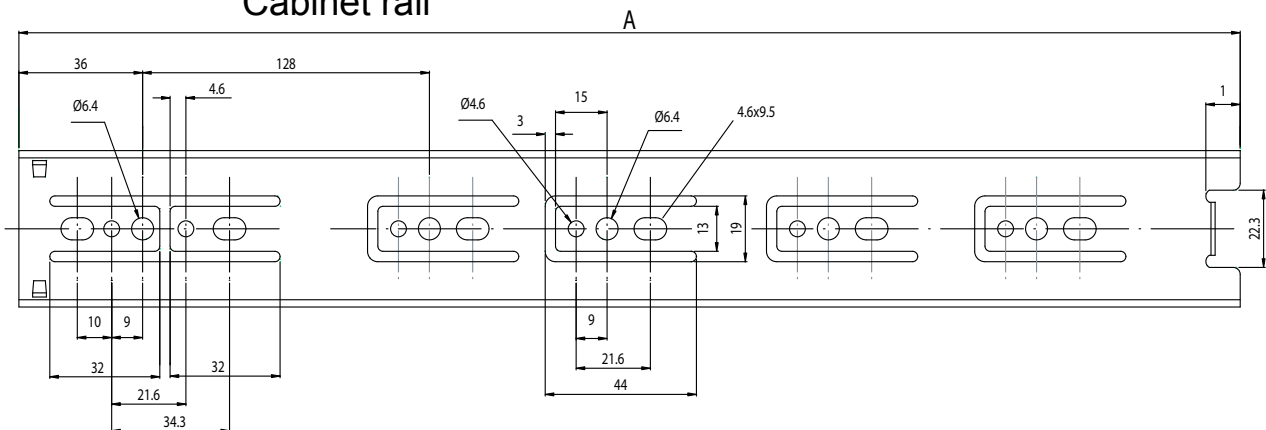


A: Length of cabinet rail  
 B: Length of centre rail  
 C: Length of drawer rail

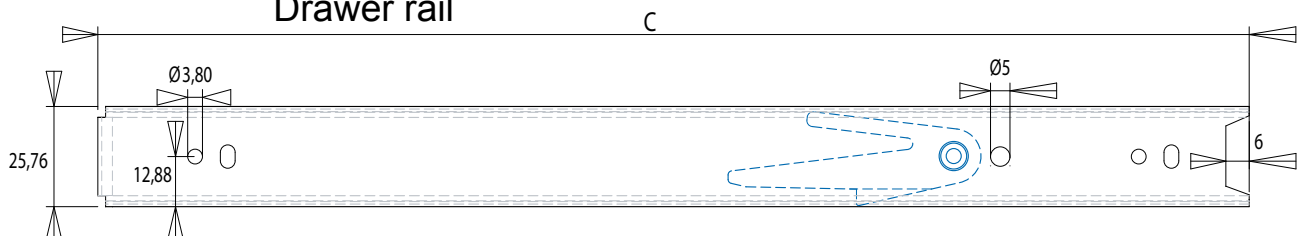


Slide length A	B	C	Travel length T	Finish	Item No.
300 mm	284 mm	296 mm	310 mm	Black	# 16.13.212
350 mm	334 mm	346 mm	360 mm	Black	# 16.13.222
400 mm	384 mm	398 mm	410 mm	Black	# 16.13.232
450 mm	435 mm	448 mm	462 mm	Black	# 16.13.242
500 mm	484 mm	497 mm	512 mm	Black	# 16.13.252
550 mm	532 mm	548 mm	559 mm	Black	# 16.13.262
600 mm	584 mm	597 mm	615 mm	Black	# 16.13.272
650 mm	634 mm	647 mm	662 mm	Black	# 16.13.282
700 mm	684 mm	696 mm	715 mm	Black	# 16.13.292

**Cabinet rail**



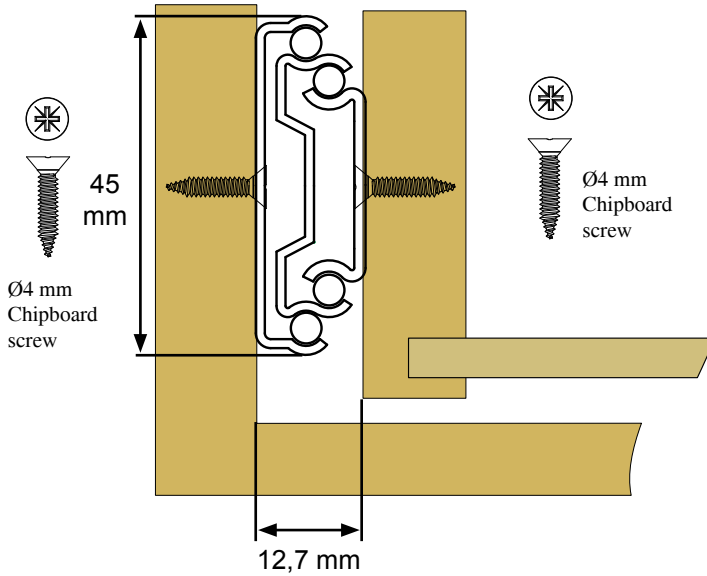
**Drawer rail**







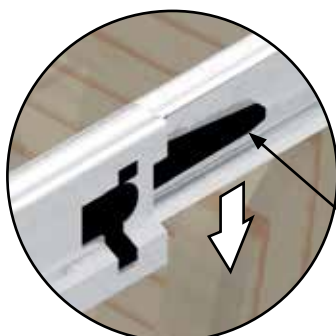
## DRAWER SLIDE NJ 4500



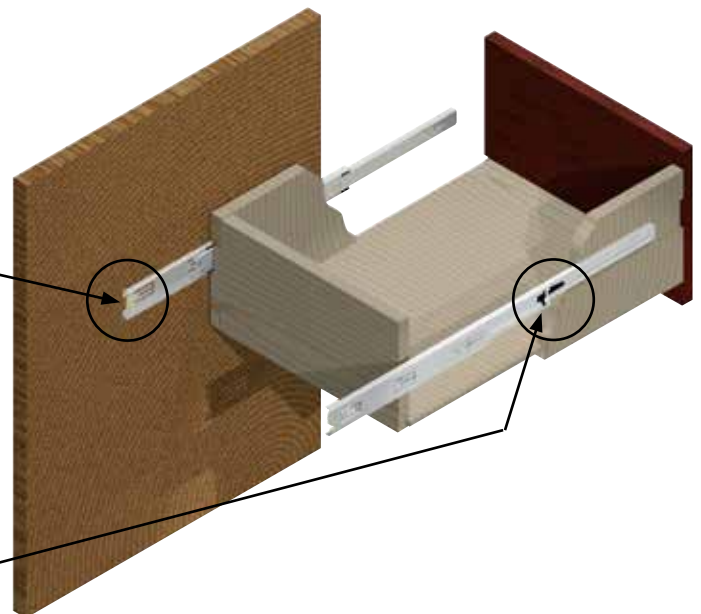
Features:	Side mounted Full extension 32 mm hole system Steel ball bearings Locking action, when closed Release lever
Material:	Cold rolled steel – 1,2 mm
Finish:	Black zinc plated or bright zinc plated
Size:	From 300 to 700 mm
Load capacity:	45 kg
Fixation:	Chipboard screws Ø4 mm
(Screws available on request)	



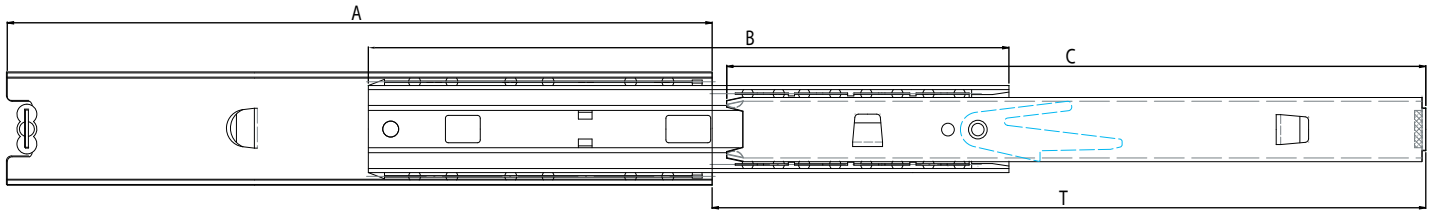
**Stopper**  
Plastic stopper for locking action, when closed



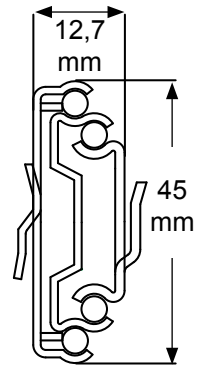
**Release lever**  
To detach drawer rail from centre rail



# DRAWER SLIDE ME 4500 F/ METAL CABINETS

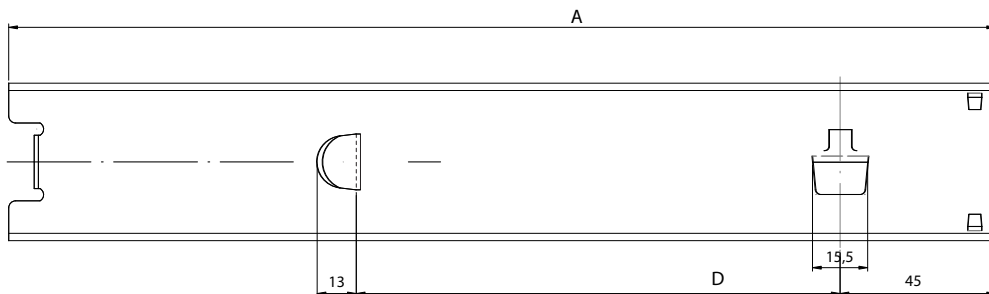


- A: Length of cabinet rail
- B: Length of centre rail
- C: Length of drawer rail
- D: Distance between hooks for cabinet & drawer mounting

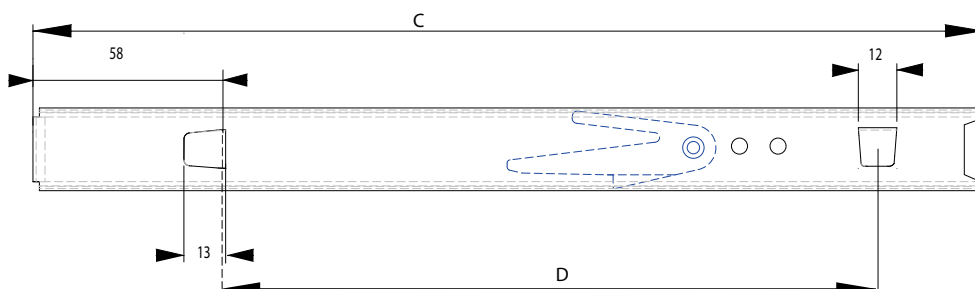


Slide length A	B	C	Travel length T	D	Finish	Item No.
300 mm	284 mm	296 mm	310 mm	206 mm	Black	# 16.13.306
350 mm	334 mm	346 mm	360 mm	256 mm	Black	# 16.13.307
400 mm	384 mm	398 mm	410 mm	256 mm	Black	# 16.13.308
450 mm	435 mm	448 mm	462 mm	306 mm	Black	# 16.13.309
500 mm	484 mm	497 mm	512 mm	356 mm	Black	# 16.13.310
550 mm	532 mm	548 mm	559 mm	406 mm	Black	# 16.13.311
600 mm	584 mm	597 mm	615 mm	456 mm	Black	# 16.13.320
650 mm	634 mm	647 mm	662 mm	506 mm	Black	# 16.13.321
700 mm	684 mm	696 mm	715 mm	556 mm	Black	# 16.13.322

Cabinet rail



Drawer rail



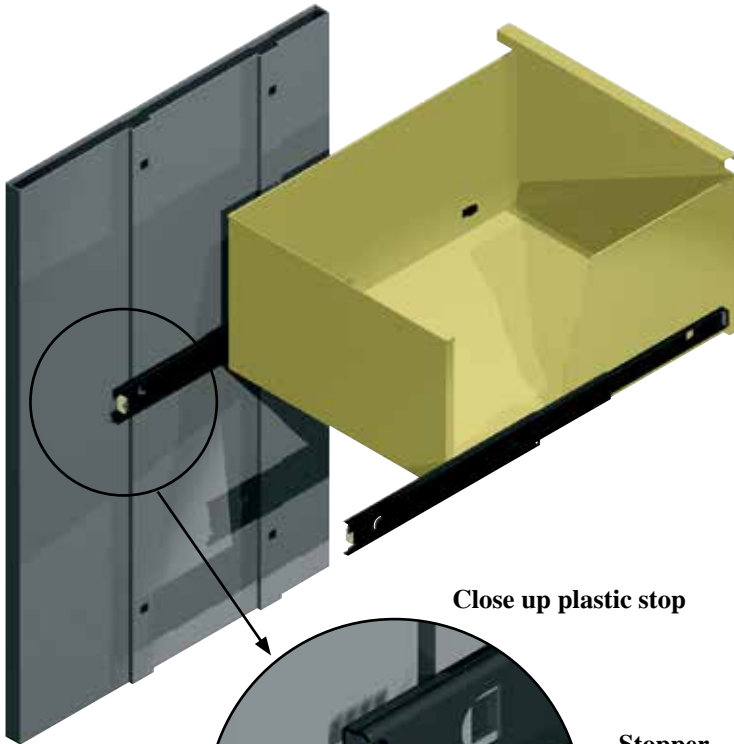
# DRAWER SLIDE ME 4500 F/ METAL CABINETS

- high quality furniture fittings

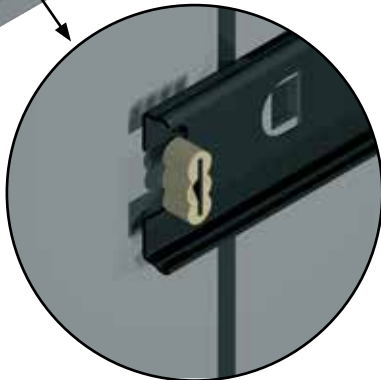


## DRAWER SLIDE ME 4500 f/metal cabinets

Features:	Bayonet hooks Side mounted Full extension Steel ball bearings Locking action, when closed Release lever
Material:	Cold rolled steel – 1,2 mm
Finish:	Black zinc plated or bright zinc plated
Size:	From 300 to 700 mm
Load capacity:	45 kg
Fixation:	By use of pre-stamped bayonet hooks



Close up plastic stop



### Stopper

Plastic stopper for locking action, when closed



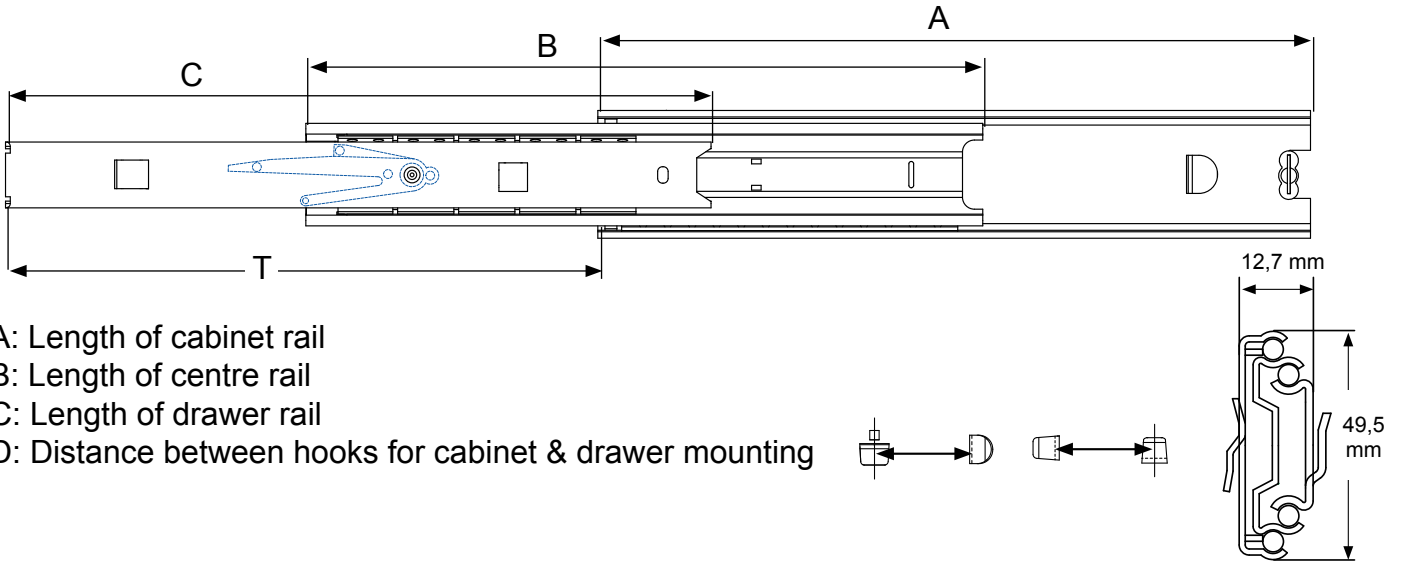
### Lever release

To detach drawer rail from centre rail

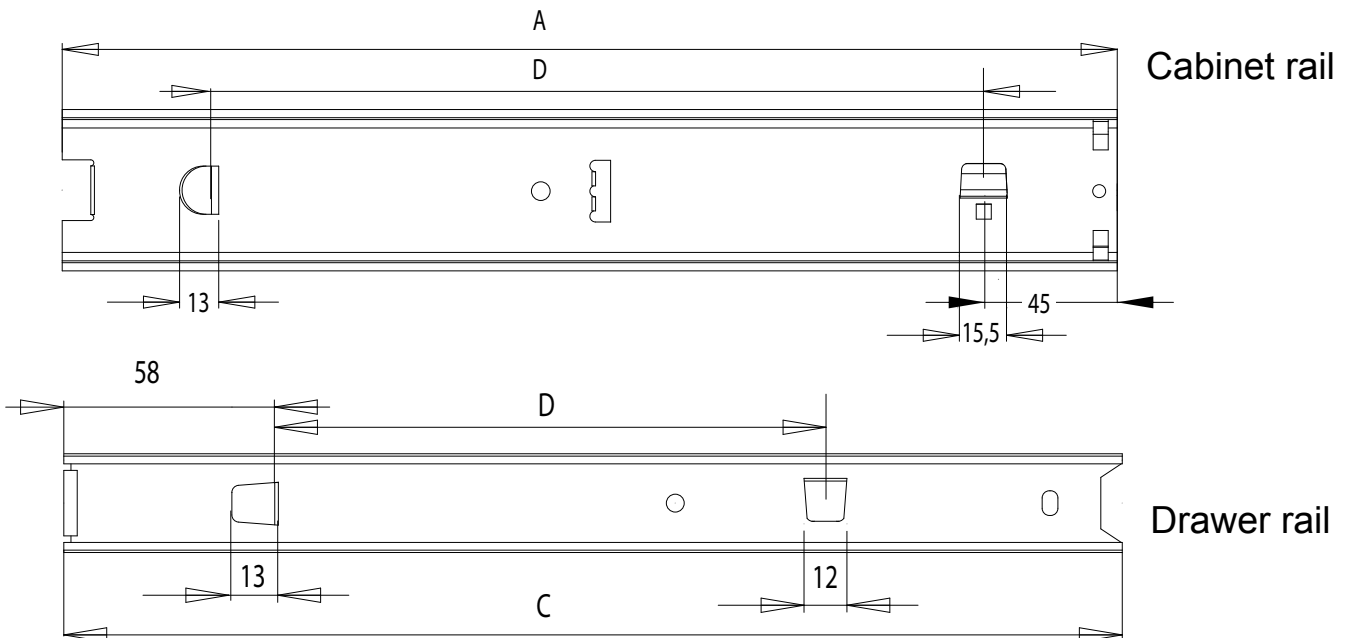


Filing cabinet made by Malow Poland

# DRAWER SLIDE ME 4950 F/ METAL CABINETS



Slide length A	B	C	Travel length T	D	Finish	Item No.
300 mm	284 mm	296 mm	310 mm	206 mm	BZP	# 16.13.324
350 mm	334 mm	346 mm	360 mm	256 mm	BZP	# 16.13.326
400 mm	384 mm	398 mm	410 mm	256 mm	BZP	# 16.13.328
450 mm	435 mm	448 mm	462 mm	306 mm	BZP	# 16.13.330
500 mm	484 mm	497 mm	512 mm	356 mm	BZP	# 16.13.332
550 mm	532 mm	548 mm	559 mm	406 mm	BZP	# 16.13.334
600 mm	584 mm	597 mm	615 mm	456 mm	BZP	# 16.13.336
650 mm	634 mm	647 mm	662 mm	506 mm	BZP	# 16.13.338
700 mm	684 mm	696 mm	715 mm	556 mm	BZP	# 16.13.340





## DRAWER SLIDE ME 4950

**Features:** Bayonet hooks  
Side mounted  
Full extension  
Steel ball bearings  
Locking action, when closed  
Release lever

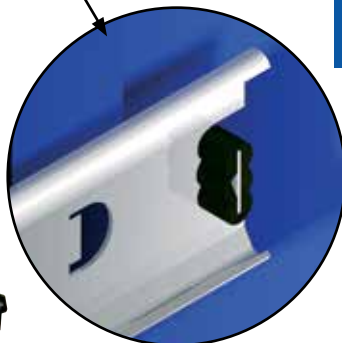
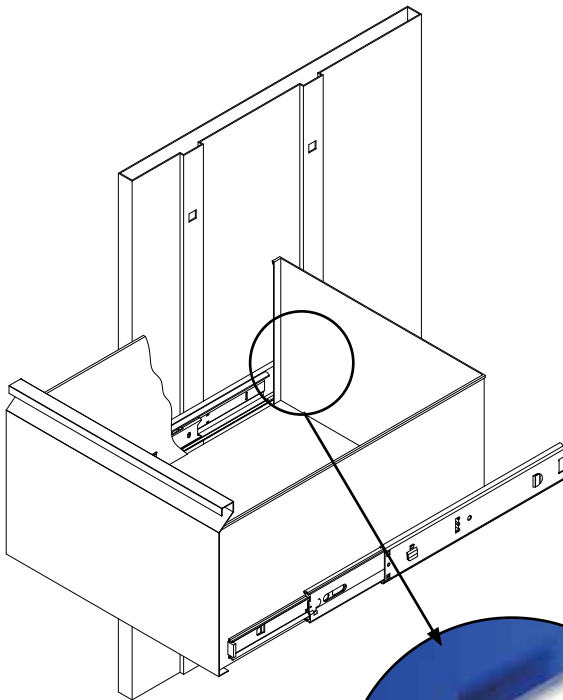
**Material:** Cold rolled steel – 1,5 mm

**Finish:** Bright zinc plated (BZP)

**Size:** From 300 to 700 mm

**Load capacity:** 80 kg

**Fixation:** By use of pre-stamped bayonet hooks



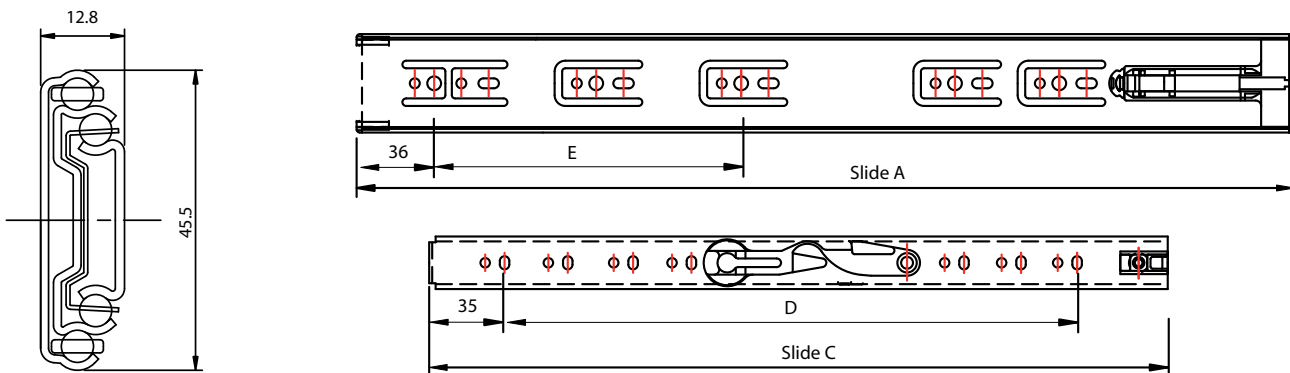
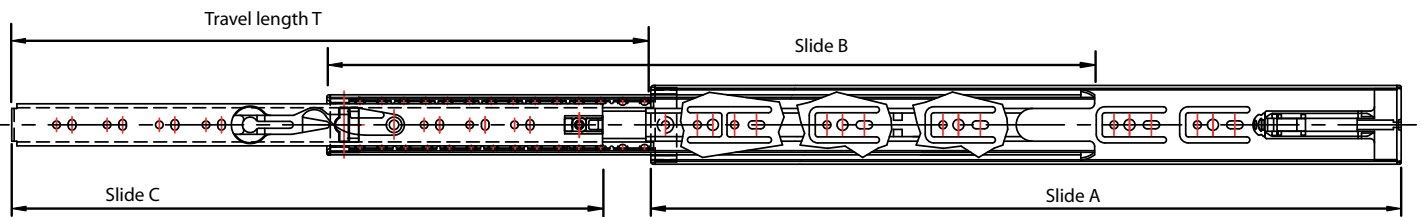
**Stopper**  
Plastic stopper for locking action, when closed



**Release lever**  
To detach drawer rail from centre rail

Filing cabinet made by Malow Poland

# DRAWER SLIDE - PUSH TO OPEN - PTO 4500



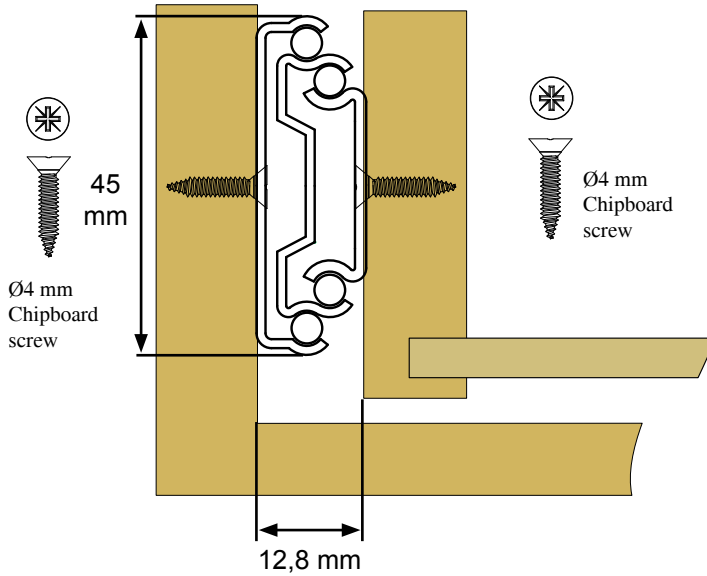
Slide length A	B	C	D	E	Travel length T	Finish	Item No.
300 mm	256 mm	281 mm	200 mm	128 mm	305 mm	BZP	# 16.13.398
350 mm	306 mm	330 mm	256 mm	192 mm	356 mm	BZP	# 16.13.400
400 mm	356 mm	380 mm	294 mm	224 mm	406 mm	BZP	# 16.13.402
450 mm	406 mm	430 mm	344 mm	288 mm	460 mm	BZP	# 16.13.404
500 mm	456 mm	480 mm	394 mm	224 mm	512 mm	BZP	# 16.13.406
550 mm	506 mm	530 mm	444 mm	224 mm	565 mm	BZP	# 16.13.408
600 mm	556 mm	580 mm	494 mm	224 mm	613 mm	BZP	# 16.13.410

# DRAWER SLIDE - PUSH TO OPEN- PTO 4500

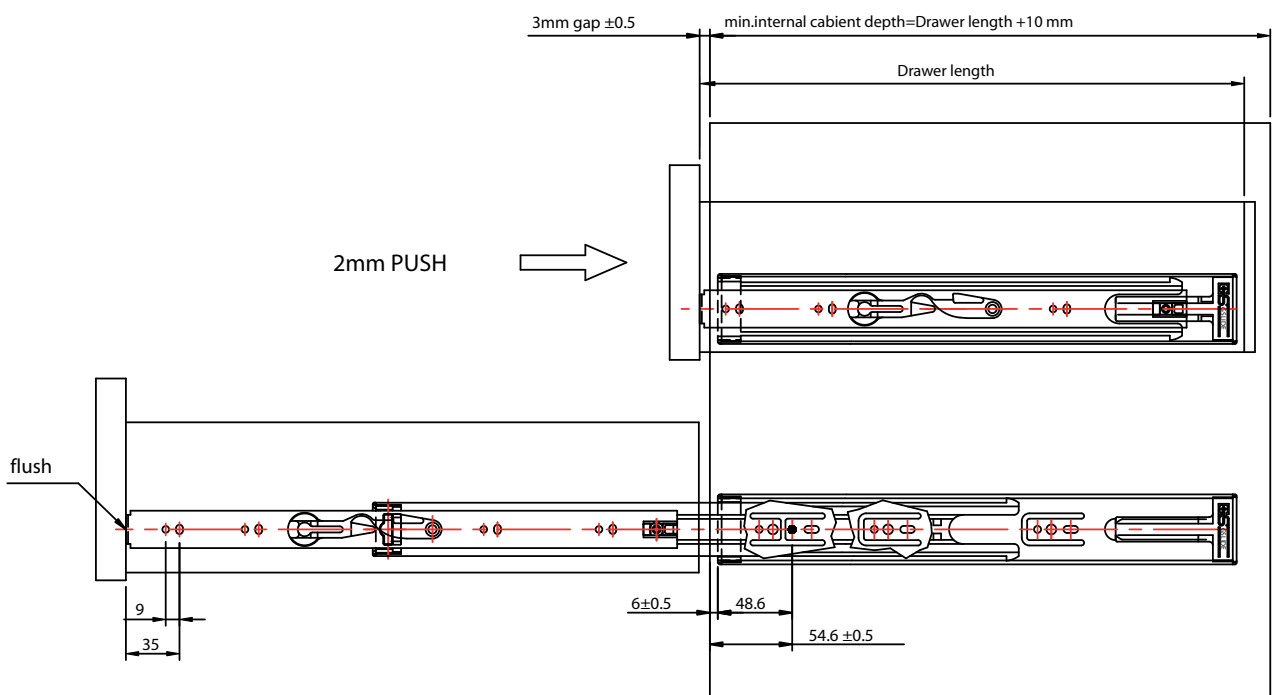
- high quality furniture fittings



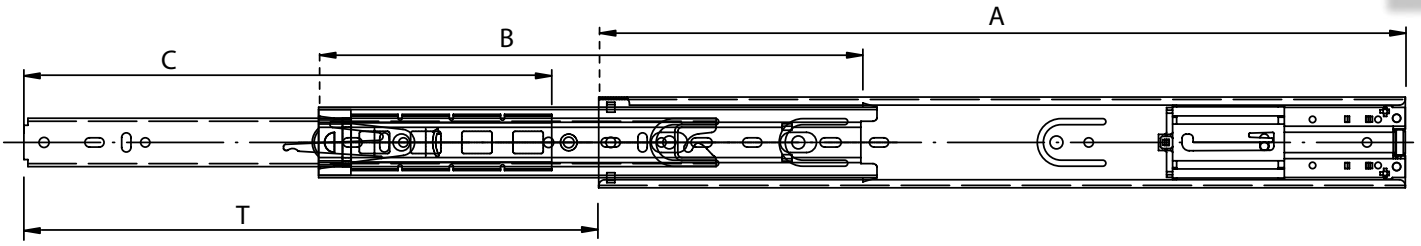
## DRAWER SLIDE PTO 4500



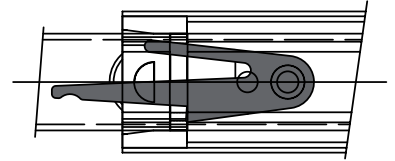
- Features: Side mounted  
Full extension  
36 mm hole system  
Steel ball bearings  
Push to open function  
Release lever
- Material: Cold rolled steel – 1,2 mm
- Finish: Bright zinc plated
- Size: From 300 to 600 mm
- Load capacity: 40 kg
- Fixation: Chipboard screws Ø4 mm  
(Screws available on request)



# DRAWER SLIDE SELF-CLOSING & SOFT STOP

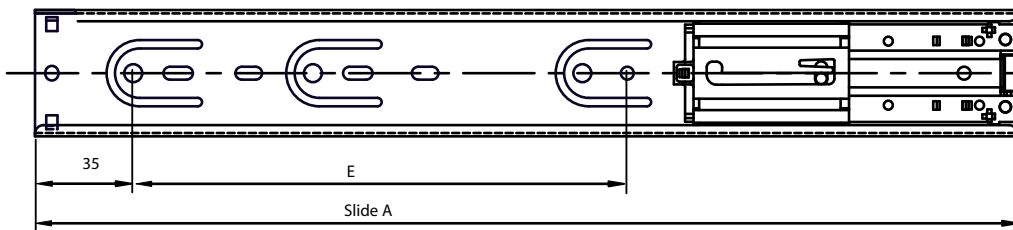


A: Length of cabinet rail  
 B: Length of centre rail  
 C: Length of drawer rail

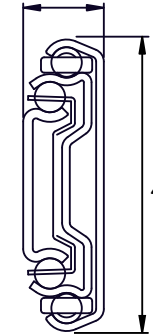


Slide length A	B	C	D	E	Travel length T	Finish	Item No.
350 mm	227 mm	293 mm	192 mm	177 mm	274 mm	BZP	# 16.13.450
400 mm	277 mm	342 mm	257 mm	207 mm	366 mm	BZP	# 16.13.452
450 mm	327 mm	392 mm	278 mm	272 mm	418 mm	BZP	# 16.13.454
500 mm	378 mm	442 mm	352 mm	335 mm	497 mm	BZP	# 16.13.456
550 mm	427 mm	493 mm	384 mm	384 mm	550 mm	BZP	# 16.13.458
600 mm	477 mm	543 mm	448 mm	432 mm	600 mm	BZP	# 16.13.460

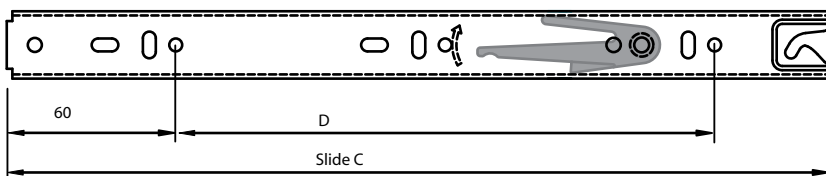
## Cabinet rail



12.6 mm +/- 0,2 mm



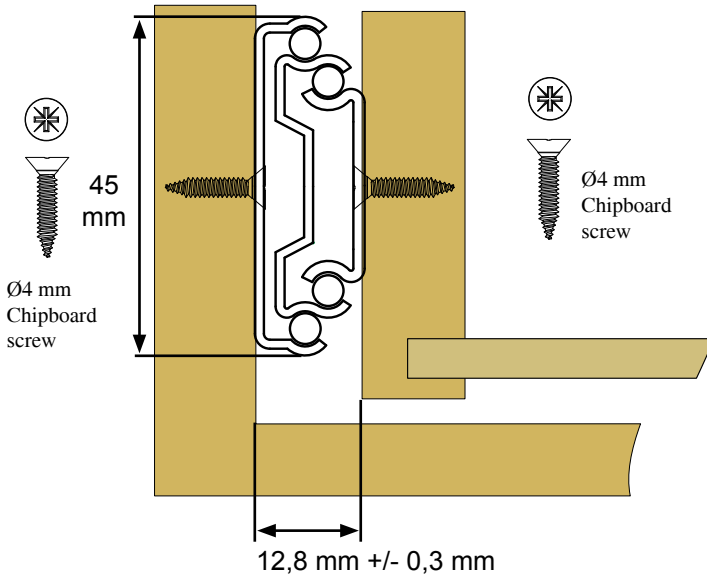
## Drawer rail



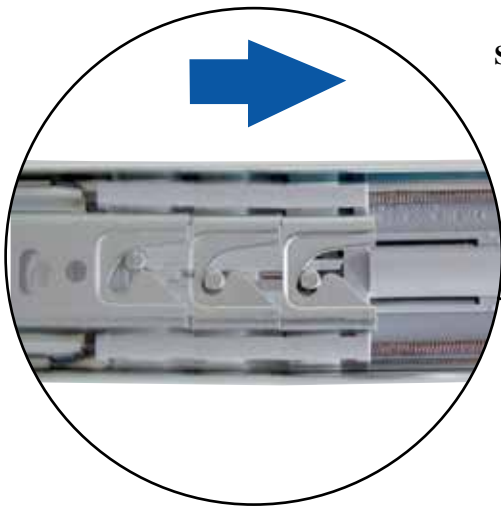




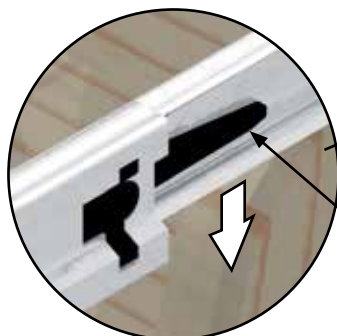
## DRAWER SLIDE SELF-CLOSING



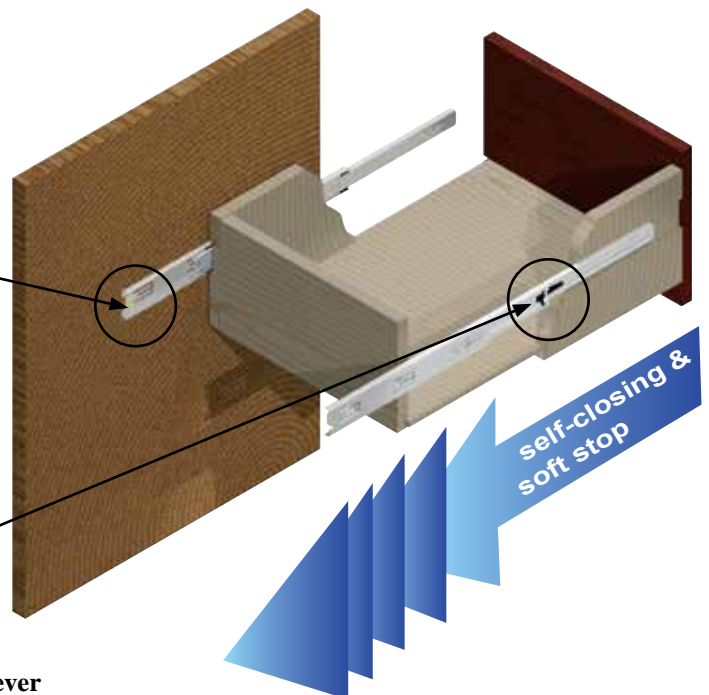
- |                               |  |
|-------------------------------|--|
| <b>Features:</b>              | Side mounted<br>Full extension<br>35 mm hole system<br>Steel ball bearings<br>Self-closing & soft stop function<br>Release lever<br>Max drawer width: 700 mm |
| <b>Material:</b>              | Cold rolled steel – 1,2 mm   |
| <b>Finish:</b>                | Bright zinc plated   |
| <b>Size:</b>                  | From 350 to 600 mm   |
| <b>Load capacity:</b>         | 35 kg  |
| <b>Fixation:</b>              | Chipboard screws Ø4 mm   |
| (Screws available on request) |  |



**Self-closing system**



**Release lever**  
To detach drawer rail from centre rail



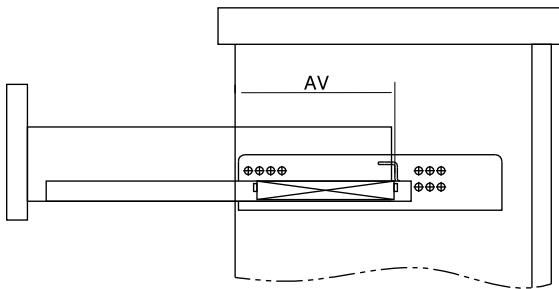
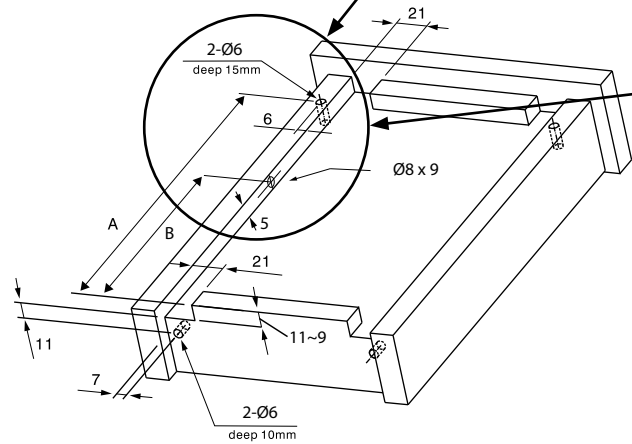
# INVISIBLE SLIDE SEMI EXTENSION W/PEG LEVELLER



Soft close pump

### Drawer size and boring

SL (mm)	250	300	350	400	450	500	550	600
A (mm)	220	245	270	305	330	355	390	415
B (mm)	188	213	238	273	298	323	358	383



### Extension loss

SL (mm)	250	300	350	400	450	500	550	600
AV (mm)	86,5	86,5	86,5	106,5	106,5	106,5	126,5	126,5

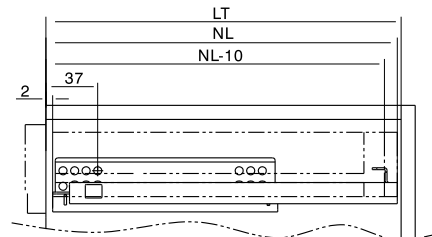
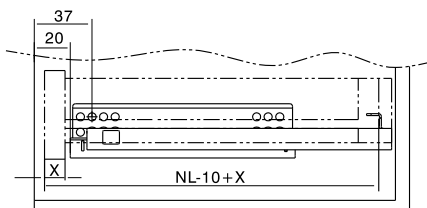
### Installation dimensions

SL= Slide length

LT= Internal cabinet depth

Inset drawer LT min=SL+21

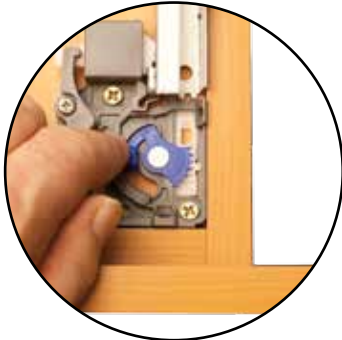
Overlay drawer LT min=SL+3



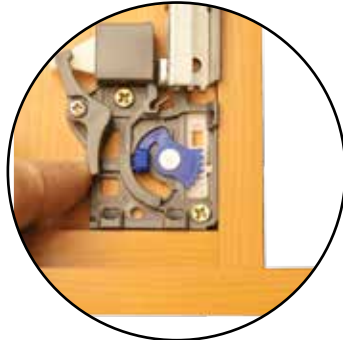
Slide Length	250 mm	300 mm	350 mm	400 mm	450 mm	500 mm	550 mm	600 mm
Item No.	16.13.520	16.13.521	16.13.522	16.13.523	16.13.524	16.13.525	16.13.526	16.13.527



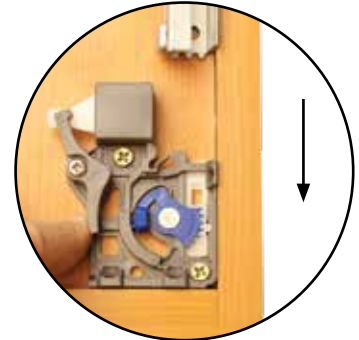
# INVISIBLE SLIDE SEMI EXTENSION W/QUICK RELEASE



Turn the handle to level the drawer 0-+ 3mm



Press to release drawer from the slide

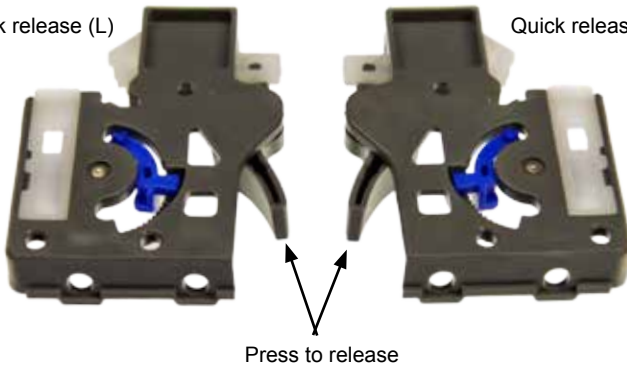


Drawer disconnected

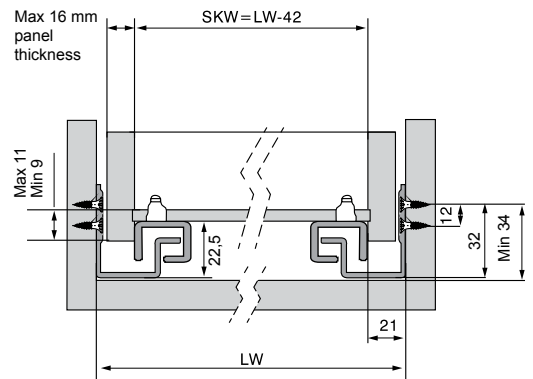
Quick release (L)

Quick release (R)

Drawer height wedge leveller



Press to release



### Installation dimensions

SL= Slide length

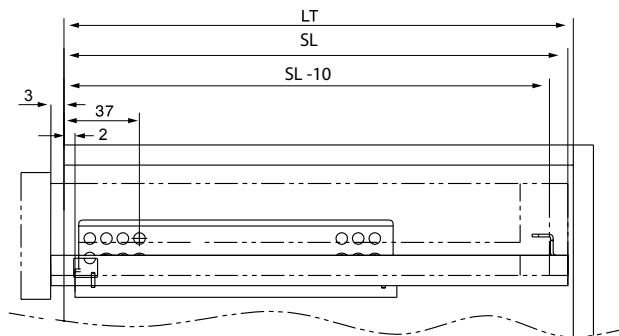
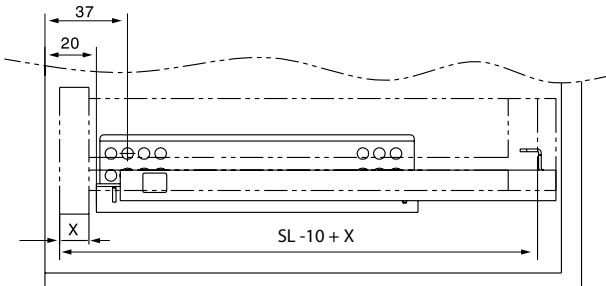
LT= Internal cabinet depth

Inset drawer LT min=SL+21

Overlay drawer LT min=SL+3

Inset drawer

Overlay drawer



Slide length	250 mm	300 mm	350 mm	400 mm	450 mm	500 mm	550 mm	600 mm
Item No.	16.13.530	16.13.531	16.13.532	16.13.533	16.13.534	16.13.535	16.13.536	16.13.537



Soft close pump



## SEMI EXTENSION W/QUICK RELEASE

**Features:** Bottom mounted  
Semi extension  
37 mm hole system  
Self-closing and soft stop  
Quick release function  
Height adjustment of drawer  
Max drawer width: 500 mm

**Material:** Cold rolled steel – 1,8 mm

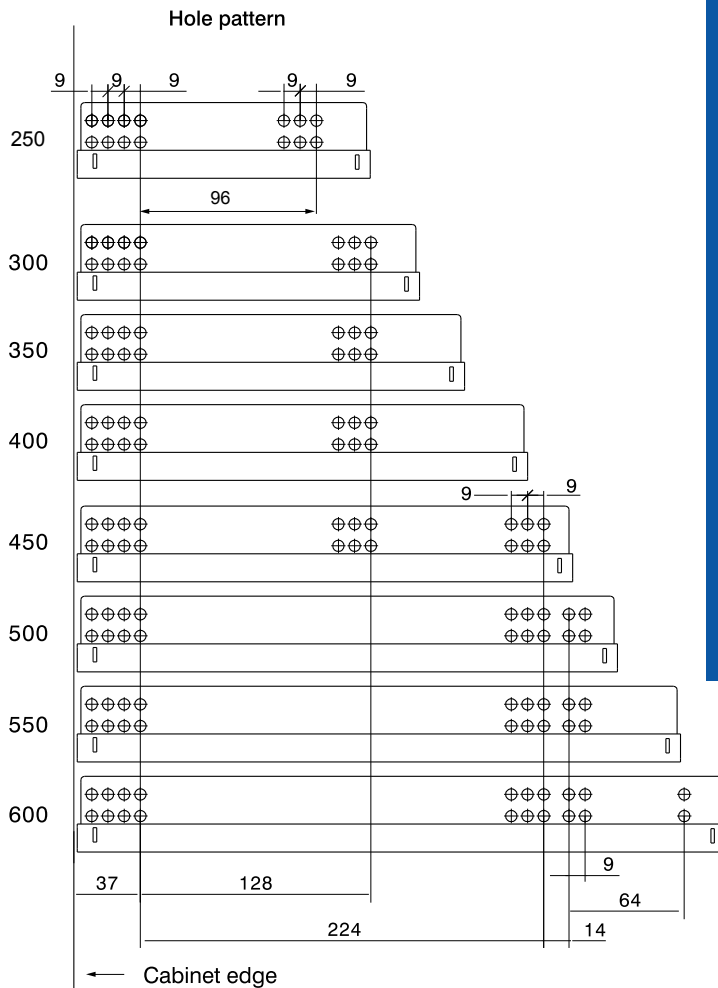
**Finish:** Zinc plated

**Size:** From 250 to 600 mm

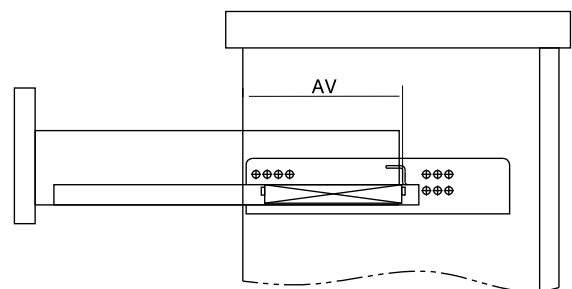
**Load capacity:** 25 kg

**Fixation:** Chipboard screws Ø6 mm

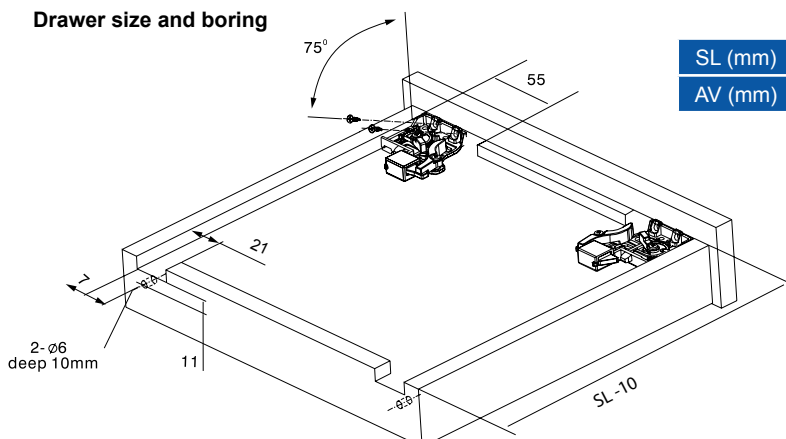
(Screws available on request)



**Extension loss**

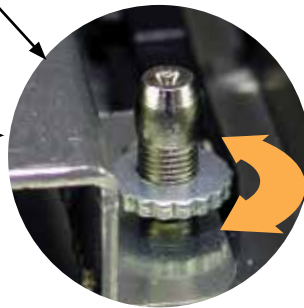
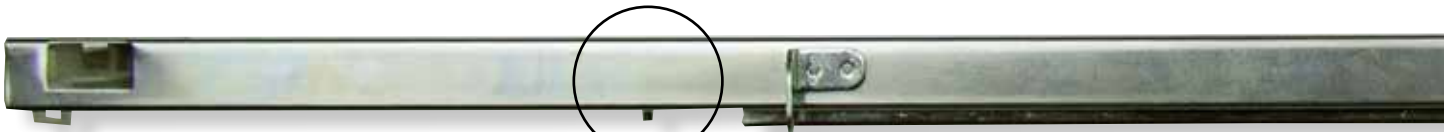


**Drawer size and boring**



SL (mm)	250	300	350	400	450	500	550	600
AV (mm)	98,5	98,5	98,5	118,5	118,5	118,5	138,5	138,5

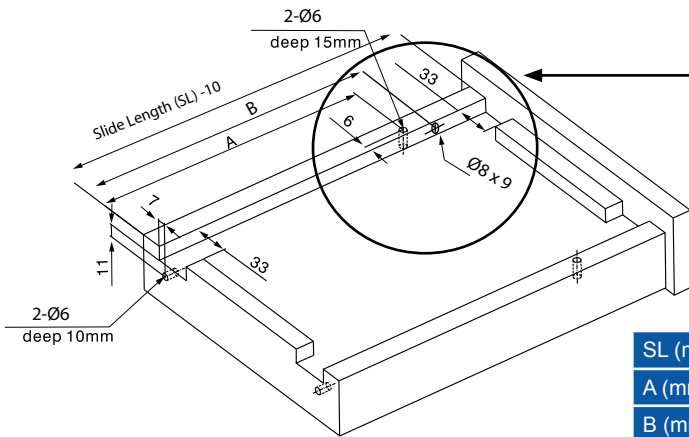
# INVISIBLE SLIDE FULL EXTENSION W/PEG LEVELLER



Turn wheel to level the drawer 0-+4 mm

Drawer height leveller

**Drawer size and boring**



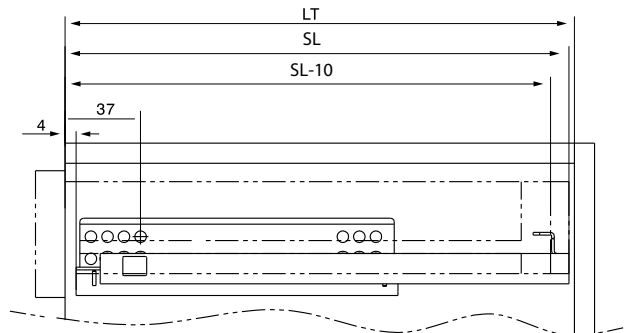
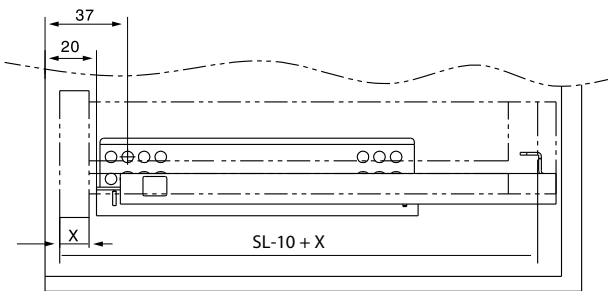
SL (mm)	250	300	350	400	450	500	550	600
A (mm)	190	245	270	305	330	355	390	415
B (mm)	200,5	255,5	280,5	319,5	369,5	419,5	469,5	519,5

## Installation dimensions

SL= Slide length

LT= Internal cabinet depth

Inset drawer LT min=SL+21 Overlay drawer LT min=SL+3



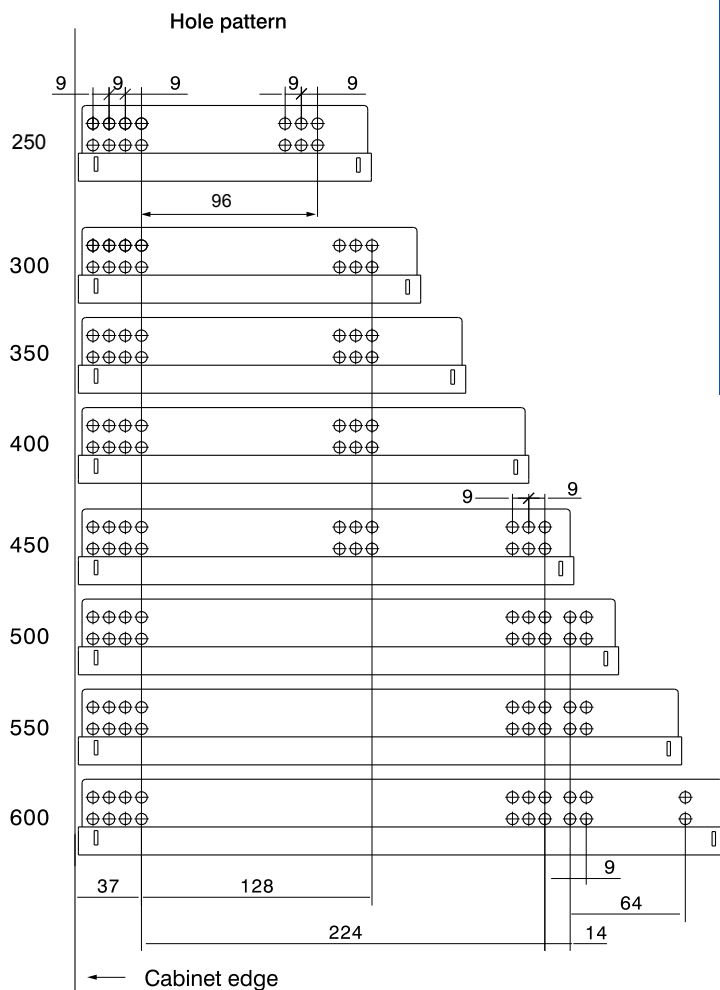
Drawer length	250 mm	300 mm	350 mm	400 mm	450 mm	500 mm	550 mm	600 mm
Item No.	16.13.500	16.13.501	16.13.502	16.13.503	16.13.504	16.13.505	16.13.506	16.13.507



Soft close pump

## FULL EXTENSION W/PEG LEVELLER

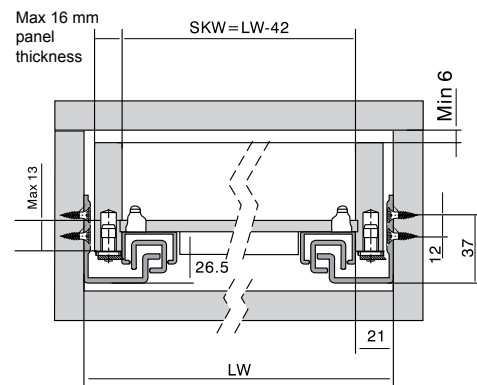
- Features: Bottom mounted  
Full extension  
37 mm hole system  
Self-closing and soft stop  
Max drawer width: 500 mm
- Function: Height adjustment of drawer
- Material: Cold rolled steel – 1,8 mm
- Finish: Zinc plated
- Size: From 250 to 600 mm
- Max panel thickness: 16 mm
- Load capacity: 25 kg
- Fixation: Chipboard screws Ø6 mm  
(Screws available on request)



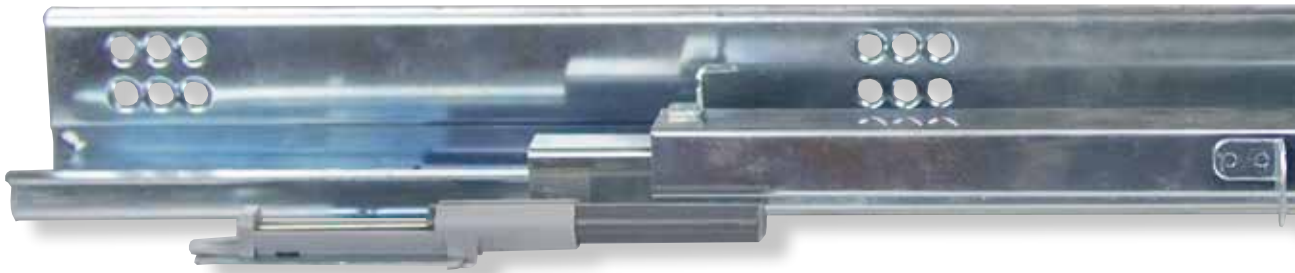
### Installation dimensions

SKW= Internal drawer width

LW= Internal cabinet width



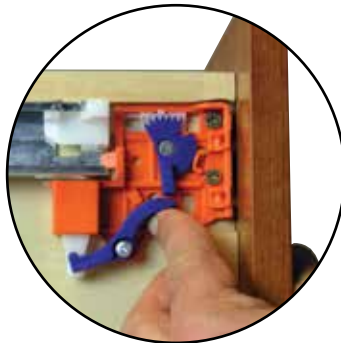
# INVISIBLE SLIDE FULL EXTENSION W/QUICK RELEASE



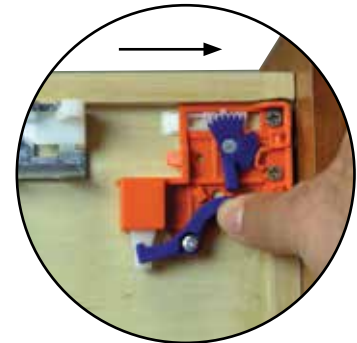
Soft close pump



Turn the handle to level the drawer 0-+ 3mm



Press to release drawer from the slide

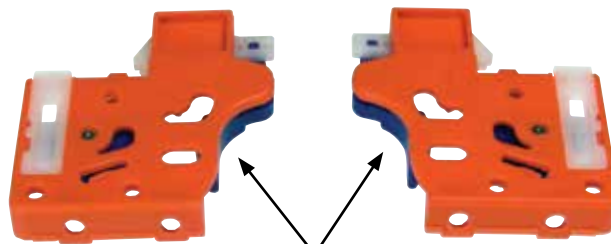


Drawer disconnected

Quick release (L)

Quick release (R)

Drawer height wedge leveller



Press to release

## Installation dimensions

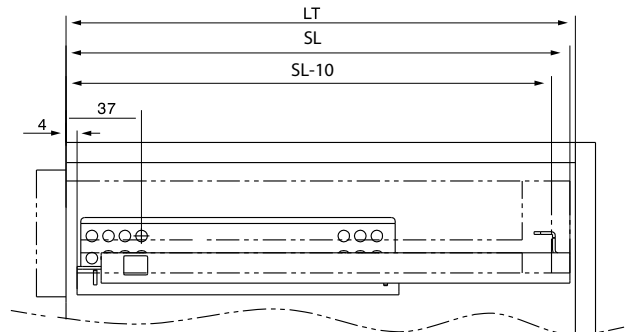
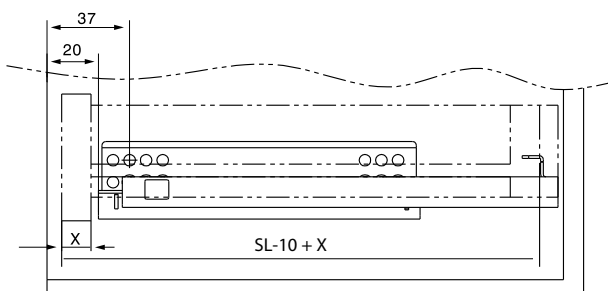
SL= Slide length

LT= Internal cabinet depth

Inset drawer LT min=SL+21 Overlay drawer LT min=SL+3

Inset drawer

Overlay drawer



Slide length	250 mm	300 mm	350 mm	400 mm	450 mm	500 mm	550 mm	600 mm
Item No.	16.13.470	16.13.471	16.13.472	16.13.473	16.13.474	16.13.475	16.13.476	16.13.477

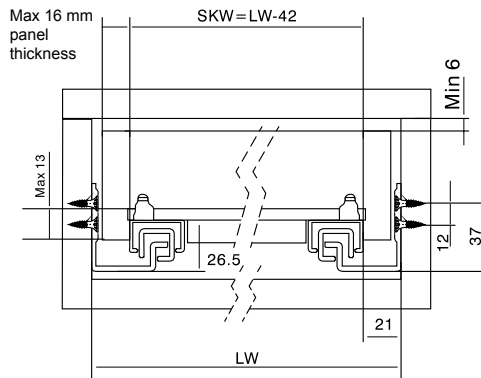




## Installation dimensions

SKW= Internal drawer width

LW= Internal cabinet width



## FULL EXTENSION W/QUICK RELEASE

**Features:** Bottom mounted  
Full extension  
37 mm hole system  
Self-closing and soft stop  
Quick release function  
Height adjustment of drawer  
Max drawer width: 500 mm

**Material:** Cold rolled steel – 1,8 mm

**Finish:** Zinc plated

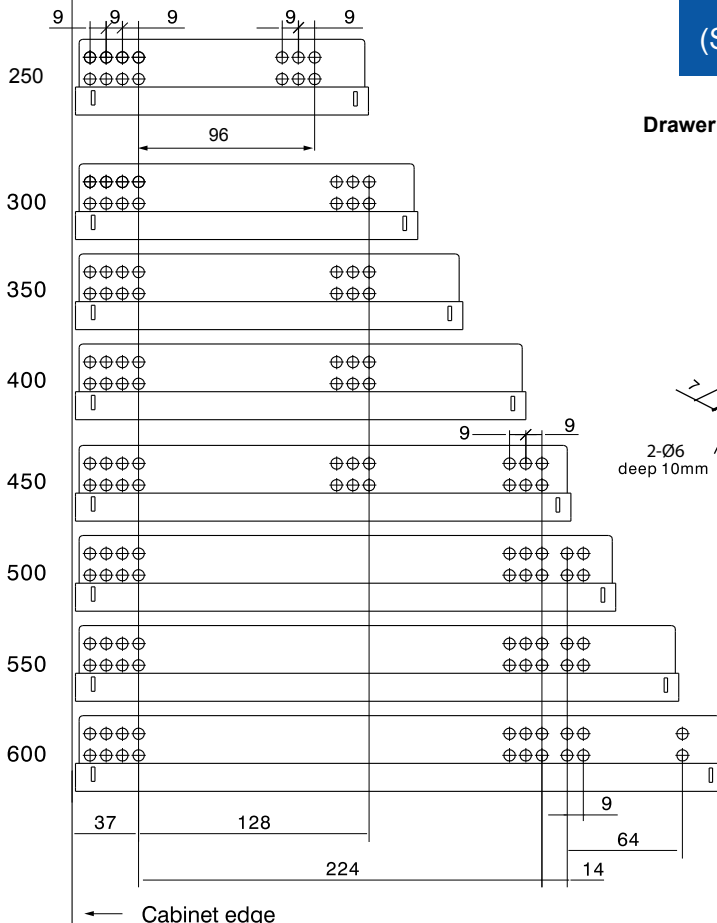
**Size:** From 250 to 600 mm

**Load capacity:** 25 kg

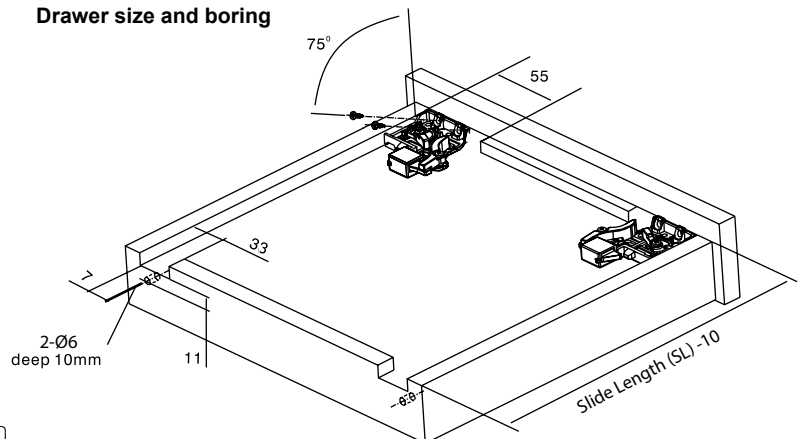
**Fixation:** Chipboard screws Ø6 mm

(Screws available on request)

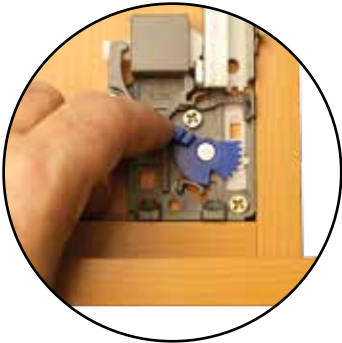
## Hole pattern



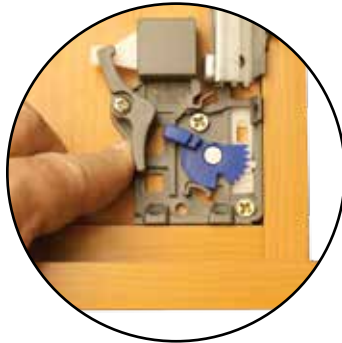
## Drawer size and boring



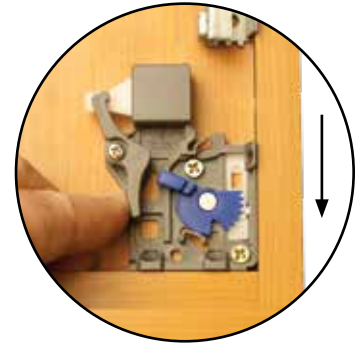
# INVISIBLE SLIDE SEMI EXTENSION PTO W/QUICK RELEASE



Turn the handle to level the drawer 0-+ 3mm



Press to release drawer from the slide

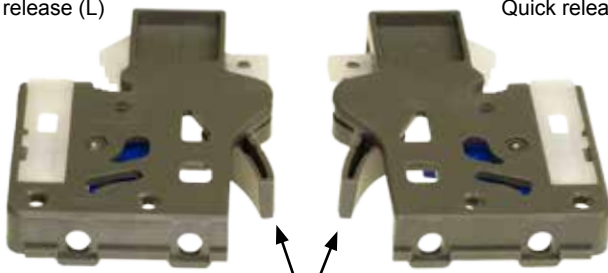


Drawer disconnected

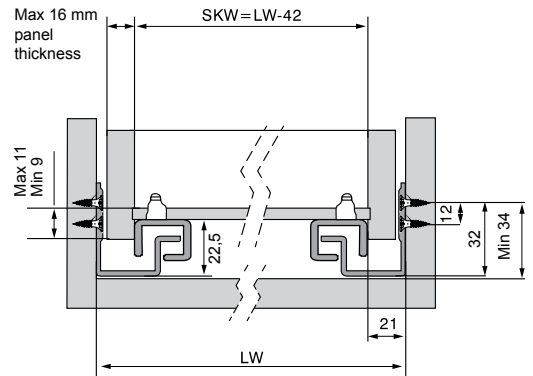
Quick release (L)

Quick release (R)

Drawer height wedge leveller



Press to release



### Installation dimensions

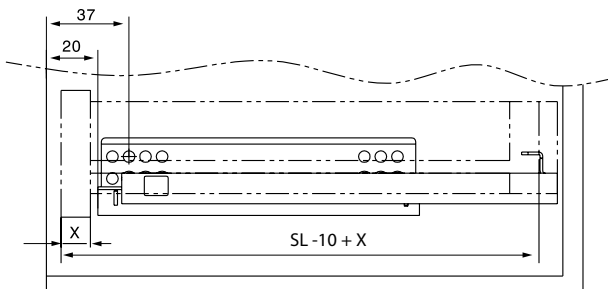
SL= Slide length

LT= Internal cabinet depth

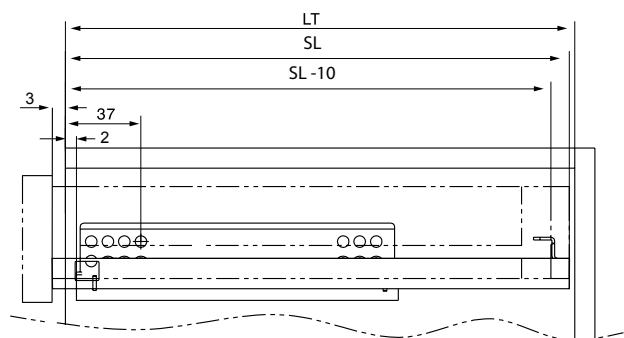
Inset drawer LT min=SL+21

Overlay drawer LT min=SL+3

Inset drawer



Overlay drawer



Slide length	250 mm	300 mm	350 mm	400 mm	450 mm	500 mm	550 mm
Item No.	16.13.425	16.13.426	16.13.427	16.13.428	16.13.429	16.13.430	16.13.431

# INVISIBLE SLIDE SEMI EXTENSION PTO W/QUICK RELEASE

- high quality furniture fittings



Push to open catch



## SEMI EXTENSION PTO W/QUICK RELEASE

**Features:** Bottom mounted  
Semi extension  
37 mm hole system  
Push to open function - 3 mm gap  
Quick release function  
Height adjustment of drawer  
Max drawer width: 500 mm

**Material:** Cold rolled steel – 1,8 mm

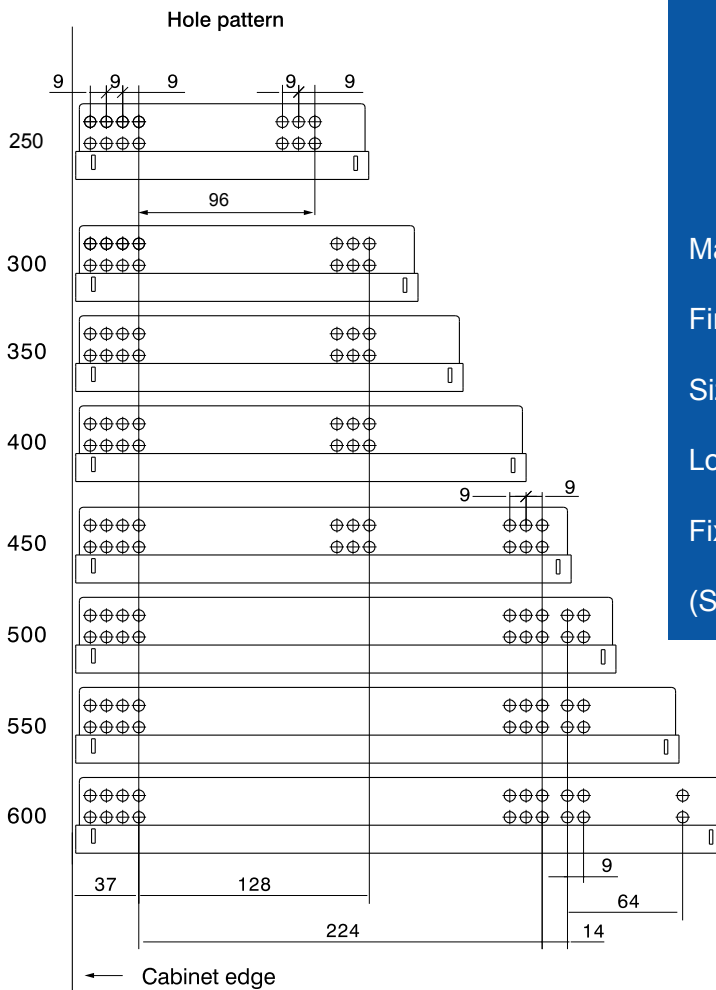
**Finish:** Zinc plated

**Size:** From 250 to 600 mm

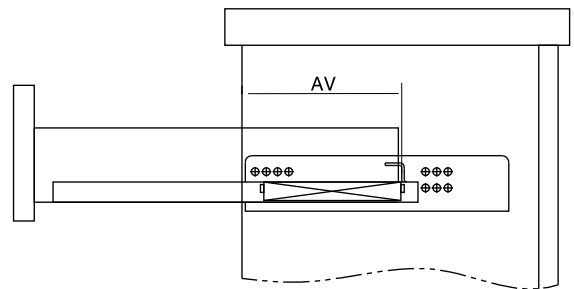
**Load capacity:** 25 kg

**Fixation:** Chipboard screws  $\varnothing$  6 mm

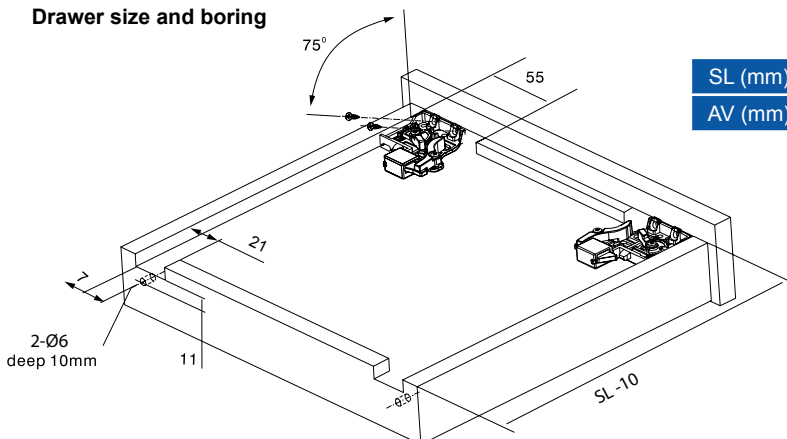
(Screws available on request)



**Extension loss**



**Drawer size and boring**



SL (mm)	250	300	350	400	450	500	550	600
AV (mm)	98,5	98,5	98,5	118,5	118,5	118,5	138,5	138,5

# KEYBOARD SLIDE NJ 2060



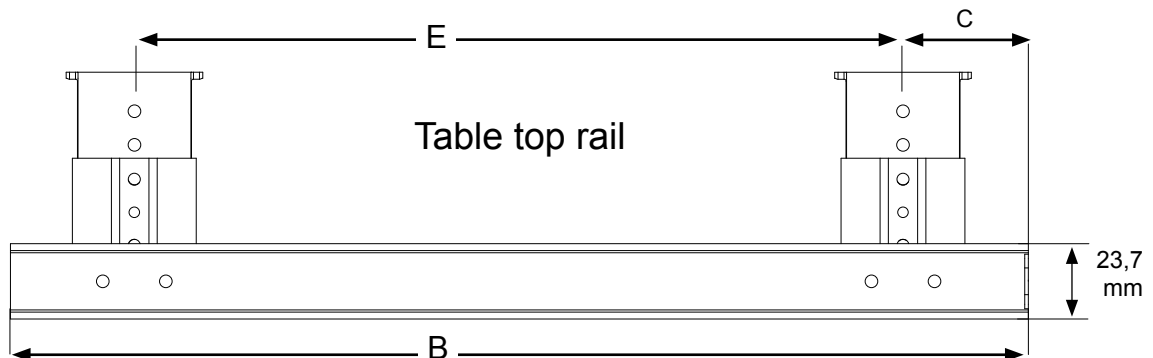
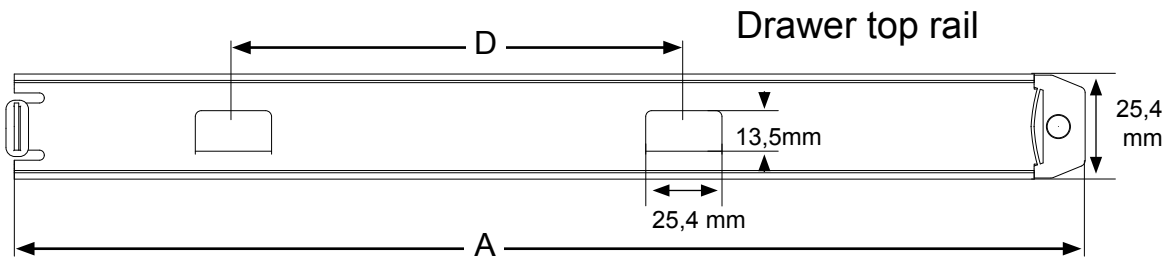
A: Length of drawer top rail

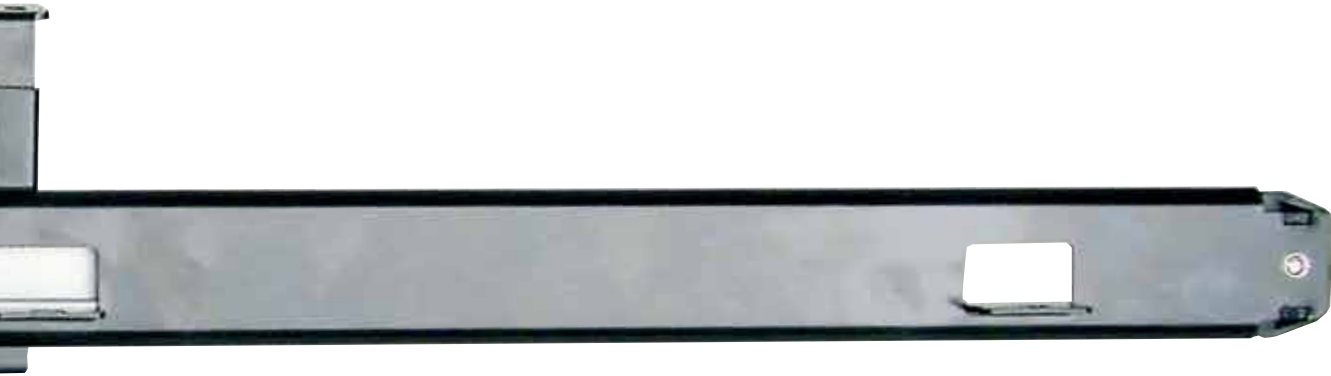
B: Length of table top rail

D: Distance between brackets for table top mounting

E: Distance between brackets for drawer top mounting

Drawer length A	B	C	Travel length T	D	E	Finish	Item No.
308 mm	290 mm	21 mm	223 mm	160 mm	192 mm	Black	# 25.23.342
356 mm	339 mm	42 mm	275 mm	223 mm	256 mm	Black	# 25.23.362
408 mm	390 mm	21 mm	310 mm	160 mm	192 mm	Black	# 25.23.382
456 mm	439 mm	42 mm	340 mm	323 mm	356 mm	Black	# 25.23.402





## KEYBOARD SLIDE NJ 2060

**Features:** Top mounted –  $\frac{3}{4}$  extension  
 Steel ball bearings  
 Locking action, when closed  
 2 steel brackets, with 6 height positions  
 In- & outward bracket mounting

**Material:** Cold rolled steel – 1,5 mm

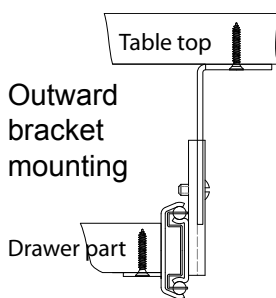
**Finish:** Black zinc plated

**Size:** From 290 to 439 mm

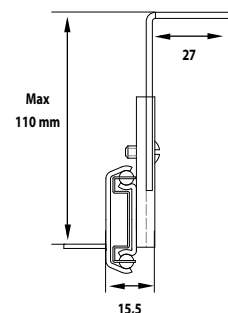
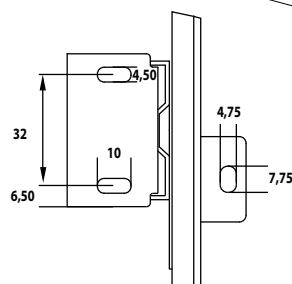
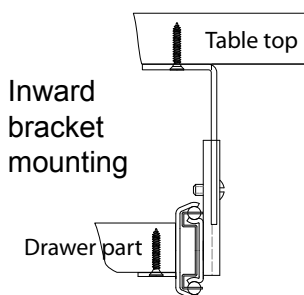
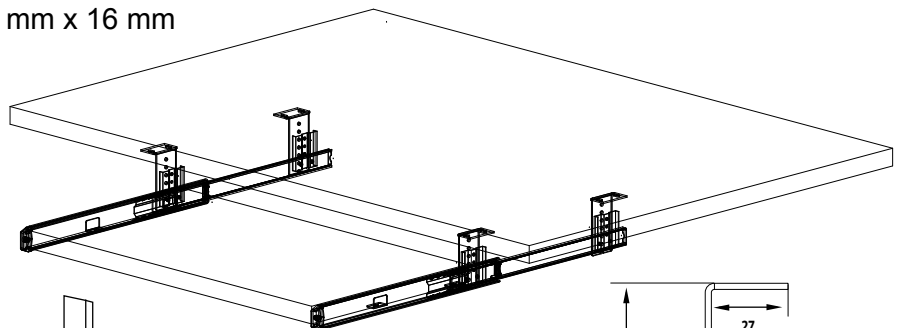
**Load capacity:** 30 kg

**Fixation:** Chipboard screws  $\varnothing$  4 mm

(Screws are included)



Chipboard screws  
 $\varnothing$ 4 mm x 16 mm

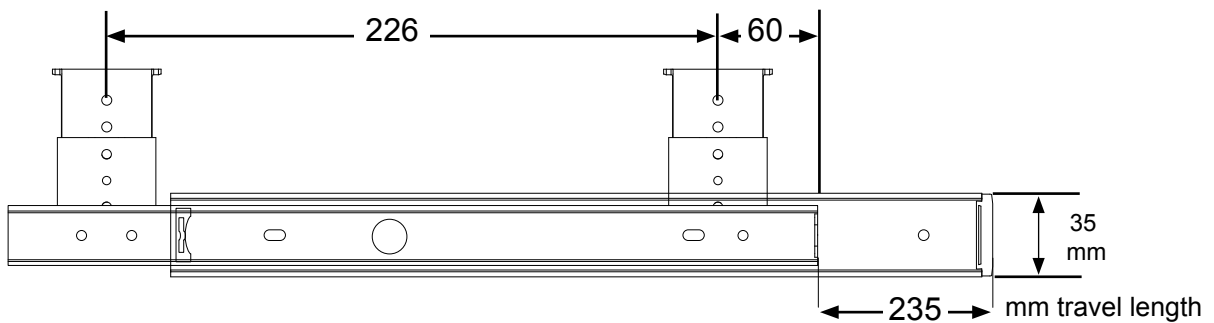
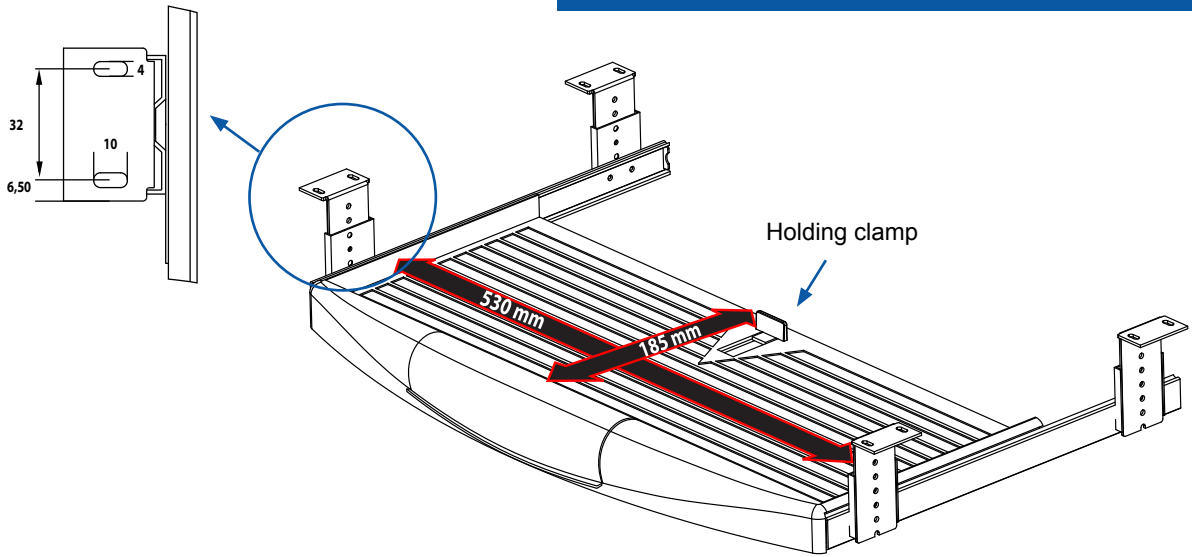
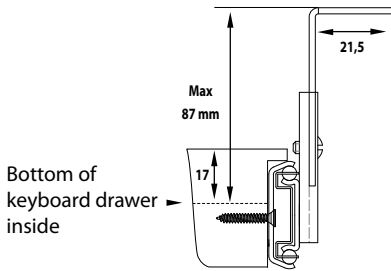


# KEYBOARD DRAWER "PROFI"

## KEYBOARD DRAWER "PROFI"



<b>Features:</b>	Pencil box with lid Holding clamp for keyboards of different sizes Steel ball bearing slide with locking action when closed
<b>Tray size:</b>	530 x 185 x 17 mm (max. keyboard size)
<b>Slide size:</b>	35 X 350 mm
<b>Material:</b>	Tray: Grey & black PP Slides & angles: Steel, bright zinc plated
<b>Fixation:</b>	Under desk top by means of angled mounting brackets with 3 height positions Chipboard screws Ø4 mm supplied on request
<b>Item No.:</b>	25.23.185



# KEYBOARD DRAWER "PROFI W/MOUSE PAD"

- high quality furniture fittings



## KEYBOARD DRAWER "PROFI W/MOUSE PAD"



**Features:** Pencil box with lid and right hand mouse pad  
Holding clamp for keyboards of different sizes  
Steel ball bearing slide with locking action when closed

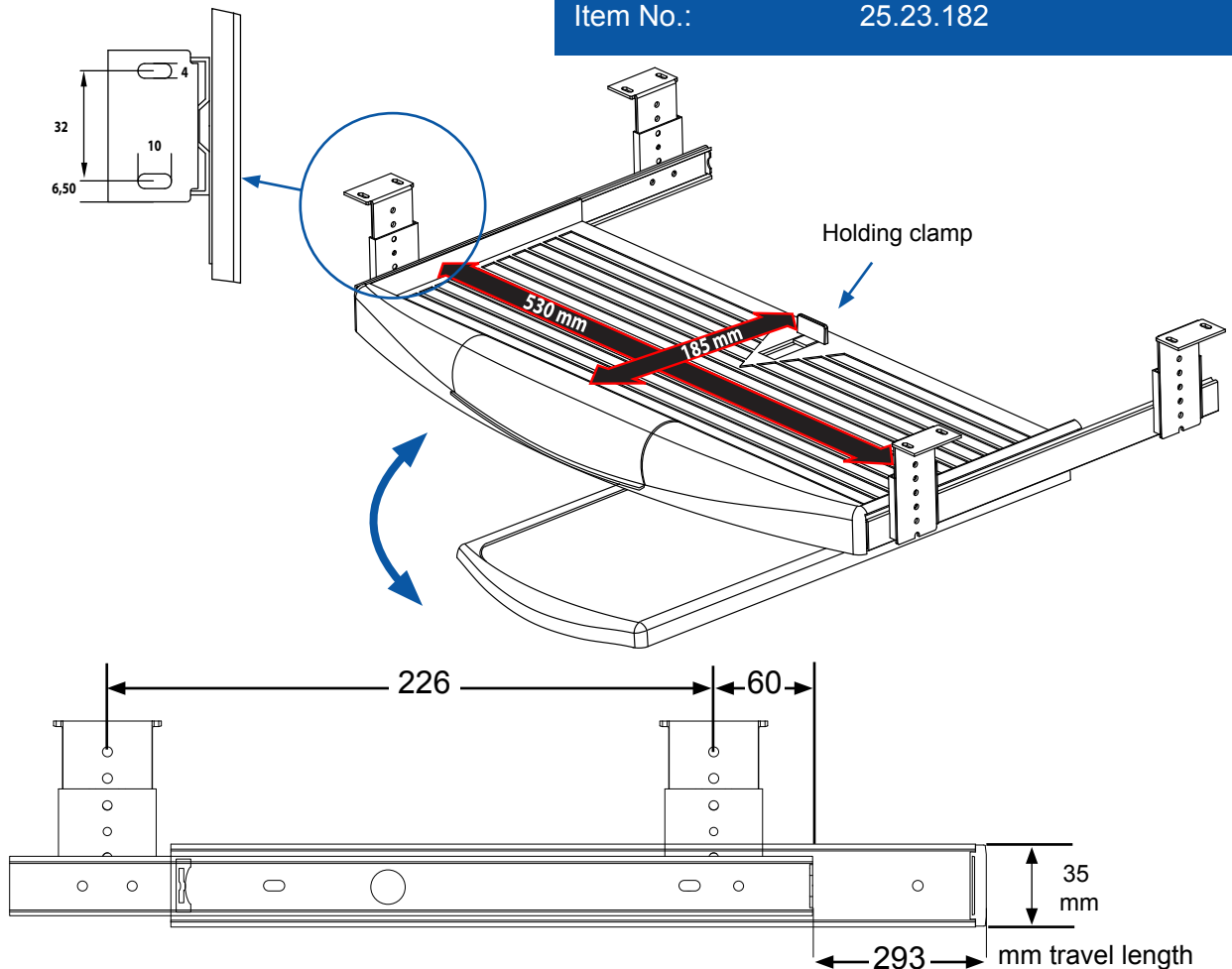
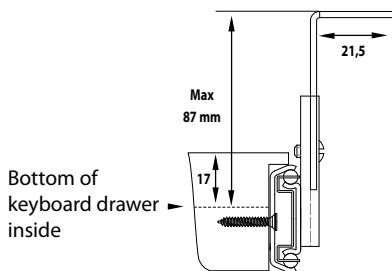
**Tray size:** 530 x 185 x 17 mm (max. keyboard size)

**Slide size:** 35 X 350 mm

**Material:**  
**Tray:** Black PP  
**Mouse pad:** Black PP with black soft fabric  
**Slides & angles:** Steel, black zinc plated

**Fixation:** Under desk top by means of angled mounting brackets with 4 height positions  
Chipboard screws Ø4 mm supplied on request

**Item No.:** 25.23.182

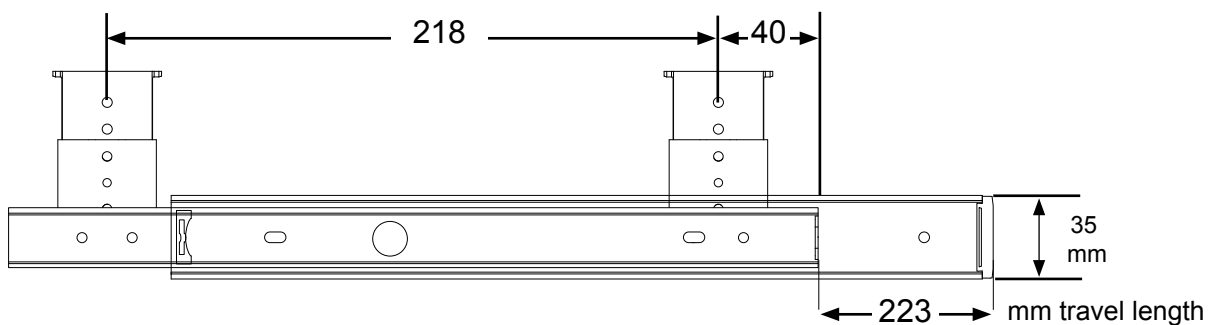
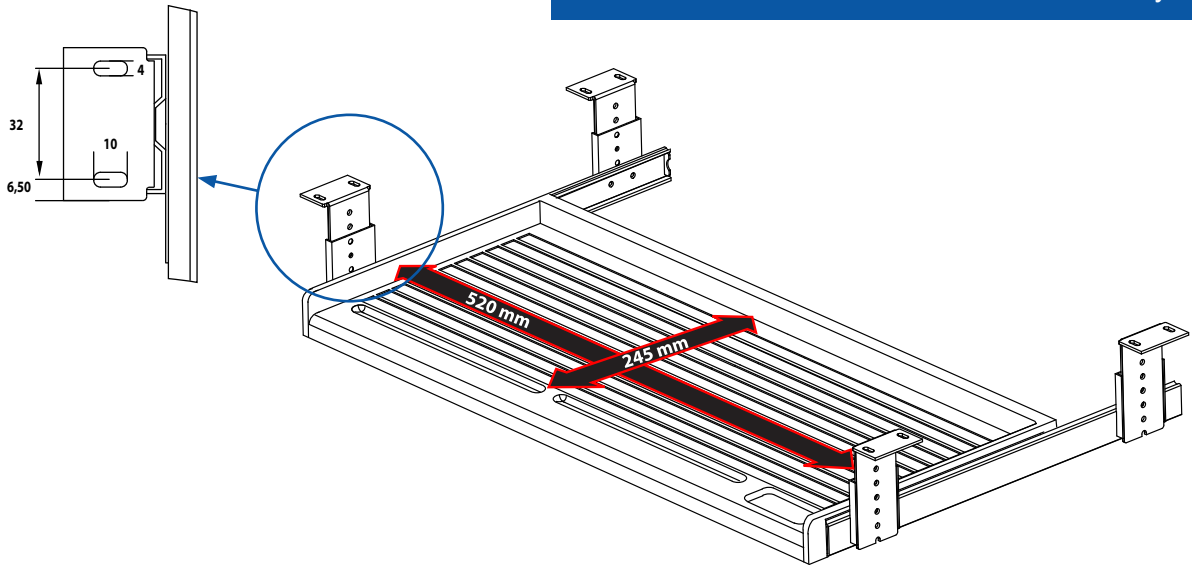
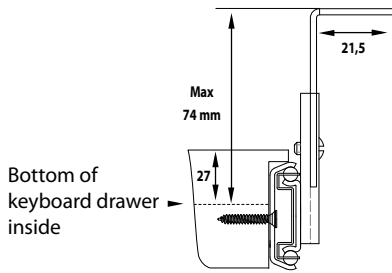


# KEYBOARD DRAWER #444

## KEYBOARD DRAWER #444



<b>Features:</b>	Pencil and clip holder Steel ball bearing slide with locking action when open & closed
<b>Tray size:</b>	520 x 245 x 27 mm (max. keyboard size)
<b>Slide size:</b>	35 X 350 mm
<b>Material:</b>	
<b>Tray:</b>	Grey or black PP
<b>Slides &amp; angles:</b>	Steel, bright or black zinc plated
<b>Fixation:</b>	Under desk top by means of angled mounting brackets with 3 height positions Chipboard screws Ø4 mm supplied on request
<b>Item No.:</b>	# 25.23.180 Grey tray # 25.23.181 Black tray





## PENCIL TRAY #431



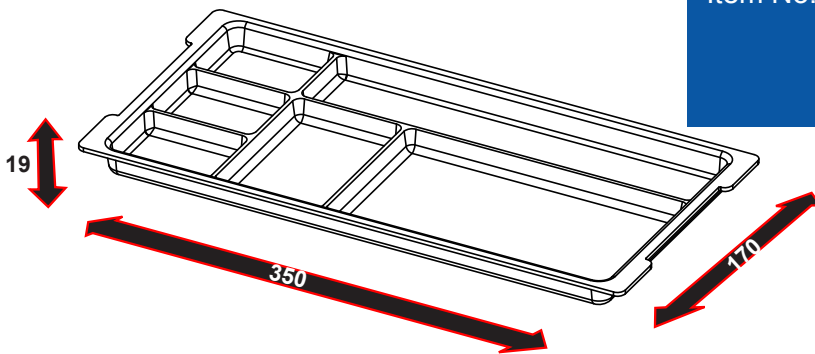
Application: Plastic pencil tray with 12,5 mm flange

Overall size: 170 (W) X 350 (L) X 19 (D) mm

Inlay size: 159 (W) x 325 (L) x 15 (D) mm

Material: Black PP, plain

Item No.: # 25.31.120



## PENCIL TRAY #806

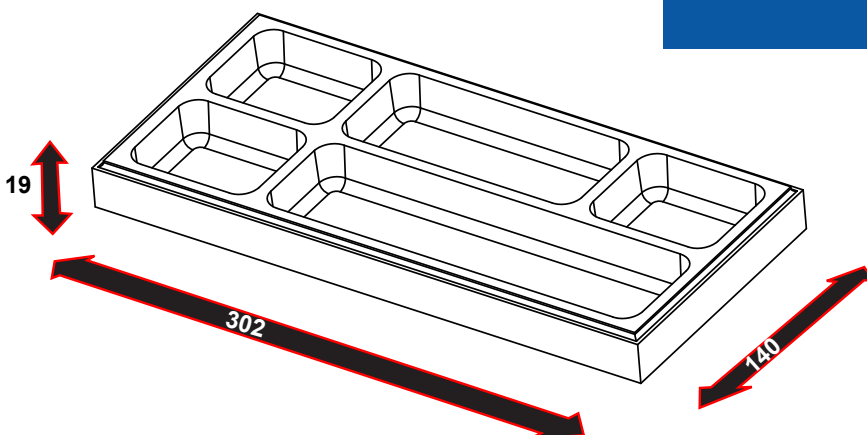


Application: Plastic pencil tray without flange

Overall size: 140 (W) X 302 (L) X 19 (D) mm

Material: Black PP, sparkled

Item No.: # 25.31.080

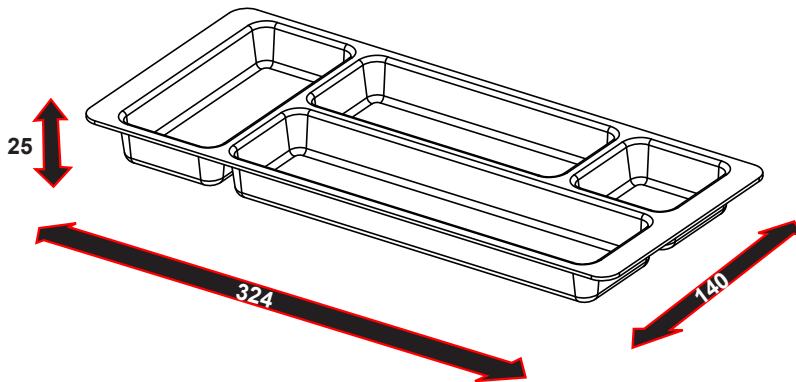


## PENCIL TRAYS



### PENCIL TRAY #815

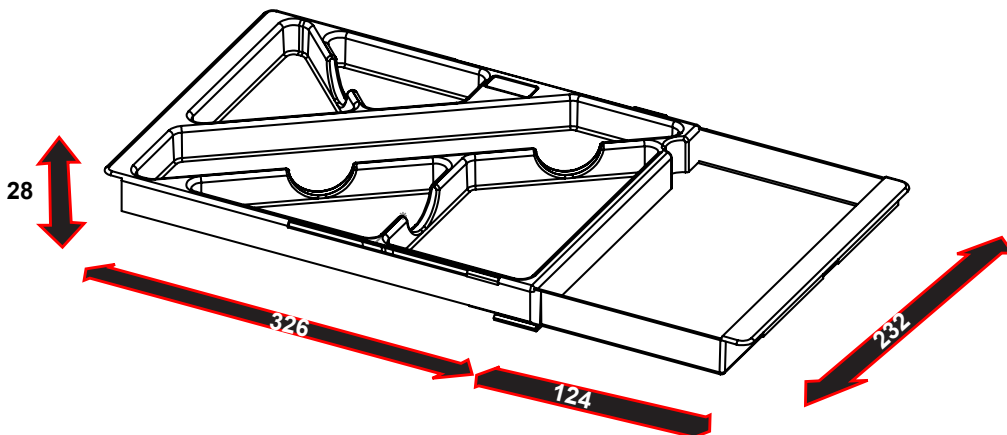
Application: Plastic pencil tray with 16 mm flange  
 Overall size: 140 (W) X 324 (L) X 25 (D) mm  
 Inlay size: 127 (W) x 292 (L) x 23 (D) mm  
 Material: Black PP, sparkled top & plain bottom  
 Item No.: # 25.31.070



### ADJUSTABLE PENCIL TRAY



Application: Plastic pencil tray for drawers from 326 - 450 mm  
 Overall size: Closed: 326 (W) X 232 (L) X 28 (D) mm  
 Open: 450 (W) X 232 (L) X 28 (D) mm  
 Inlay size: Closed : 290 (W) X 232 (L) X 28 (D) mm  
 Open: 415 (W) X 232 (L) X 28 (D) mm  
 Material: Black PP, sparkled  
 Item No.: # 25.31.090



## CD/DVD HOLDER



### Features:

Two-sided

Eliminates all contact between CD's.

Impact resistant structure

Perfect to store CD's & DVD's

Space for identification

Available in the standard size of filing drawers:

B4 = 10 Cd's or A4 = 8 CD's

### Material:

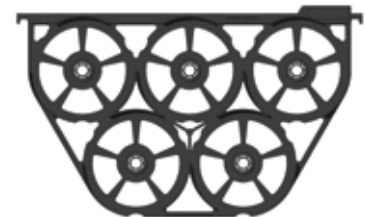
Plastic in black, transparent, yellow, orange or red

Black B4 = 10 Cd's

# 22.28.010

Black A4 = 8 CD's

# 22.28.020





*- high quality furniture fittings*

**SISO A/S**

Mileparken 11 Phone: (+45) 45 830 900  
DK - 2740 Skovlunde (Copenhagen) Fax: (+45) 45 830 444  
Denmark E-mail: [siso@siso.dk](mailto:siso@siso.dk) Web: [www.siso.dk](http://www.siso.dk)