

BTS 80 BTS 75 V

Floor Springs

Universal application, individual functions and assured quality

Whether standard, narrow or wide, whether LH, RH, or single or double action – DORMA BTS 80 and BTS 75 V door springs are designed for all types of door. A comprehensive program of accessories ensures that they can be used successfully with a wide variety of door constructions and floor coverings.

Thanks to a wide range of functions, which can be individually selected to suit different requirements, DORMA BTS 80 and BTS 75 V floor springs offer maximum reliability and quality.

Certified to ISO 9001.

Benefits...

...for the trade

- Reduced stock requirements because of separate, interchangeable spindles.
- Slim product range offering all key functions.

...for the installer

- Suitable for installation with LH or RH single and double action doors.
- Interchangeable spindles enable easy adaptation to structural conditions – even when retrofitted.

...for the architect/specifier

- Concealed installation for maximum visual elegance
- All essential functions provided
- Proven, robust design capable of withstanding leaf weights of up to 300 kg (BTS 80).

...for the user

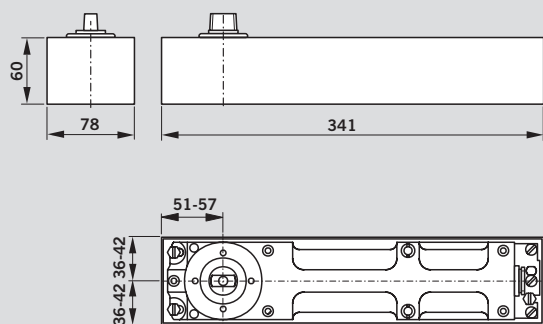
- Constant, temperature-independent closing cycle.
- Highly efficient mechanism gives maximum user convenience.

Data and features		BTS 80		BTS 75 V	
Spring strength (EN)		3	4	6	1-4
Spring strength adjustment		-	-	-	●
Standard and external doors ¹⁾	≤ 950 mm	●	-	-	-
	≤ 1100 mm	-	●	-	●
	≤ 1400 mm	-	-	●	-
Fire and smoke check doors		-	-	-	●
Max. leaf weight (kg)		300		120	
Non-handed, suitable for single and double action doors			●		●
Closing speed adjustable by valve	175° – 0°		●		-
	175° – 15°		-		●
	15° – 0°		-		●
Backcheck, mechanical			●		●
Delayed action adjustable by valve (selectable alternative to the hold-open feature)			●		-
Hold-open	Adjustable		●		-
	Fixed 90°		-		●
	Fixed 105°		-		●
Coverplate secured to	cement box		-		-
	floor spring		●		●
Weight in kg			7.1		3.0
Dimensions in mm	Length		341		285
	Width		78		82
	Height		60		50
Floor spring tested to EN 1154			●		●
CE mark for building products (products with factory-fitted hold-open do not carry a CE mark)			-		●

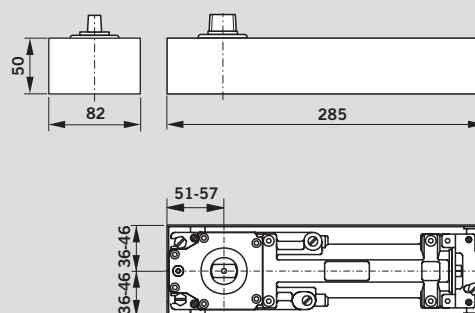
● yes – no

¹⁾ For particularly heavy doors and doors which have to close against wind resistance, we recommend the DORMA BTS 80.

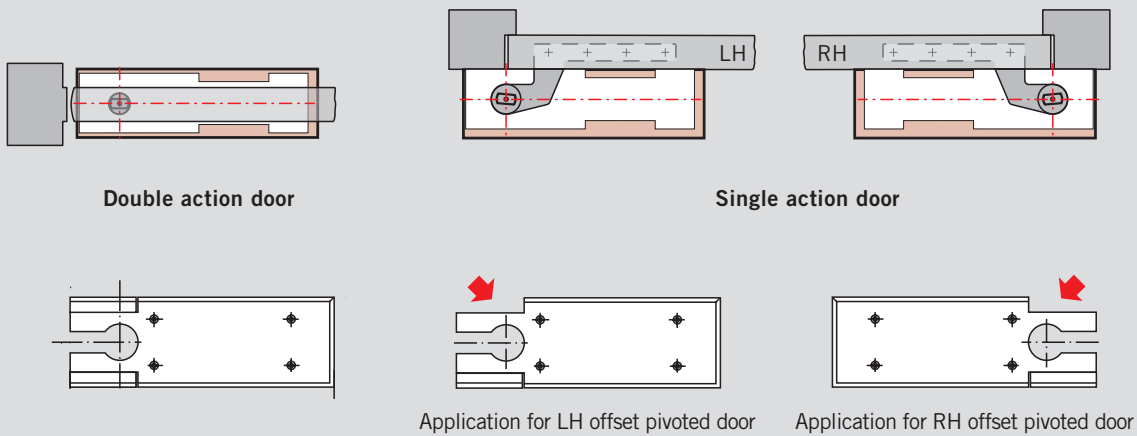
BTS 80



BTS 75 V



Application and Installation

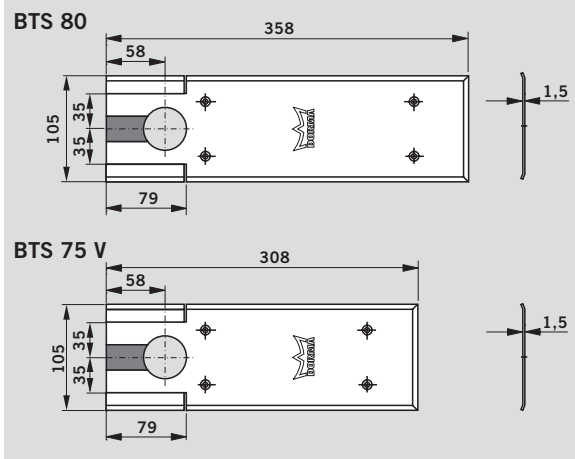


Accessories

Universal cover plate

Adaptable to right or left hand single action applications by simply snapping off the appropriate pre-blanked corner sections. For double action doors, the corner sections remain in place.

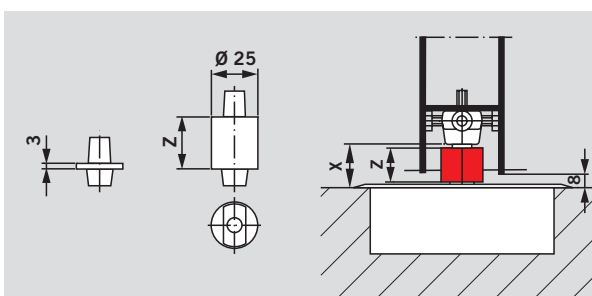
The universal cover plate is available in stainless steel or satin brass (material thickness 1.5 mm).



Spindles

A range of interchangeable spindles is available to provide greater floor clearance if required (e.g. doors with thresholds, carpeted floors etc).

Special spindles available on application: e.g. with flat face profile and 3° offset or square section; spindles for non-DORMA-specific accessories are also available.









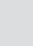
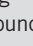






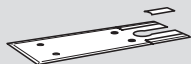
Calculating the necessary length of spindle extension:
 Extension = X – Floor clearance (normally 8 mm)
 Collar height Z of the extended spindle inserts = Spindle extension length + 3 mm (collar height of the standard spindle insert)

DORMA 2300

sealing compound

For filling cavities between the floor spring body and the cement box to protect against moisture penetration.

Information about other accessories such as **door straps and top centres** can be found in the “Accessories for DORMA BTS Floor Springs” leaflet

Standard equipment and accessories		Extended spindles (extension in mm)													2300 sealing compound, 0.5 kg	
BTS 80 floor spring	BTS 75 V floor spring	 Standard														
		45200401	45200402	45200403	45200404	45200419	45200405	45200406	45200407	45200414	45200408	45200409	45200410	45200411	45200412	45090059
Including cement box and standard spindle		EN 3	EN 1 – 4	●	#	#	#	#	#	#	#	#	#	#	#	#
80120000	61701000															
EN 4	EN 1 – 4 with hold-open at 90°	●	#	#	#	#	#	#	#	#	#	#	#	#	#	#
80110000	61701200															
EN 6	EN 1 – 4 with hold-open at 105°	●	#	#	#	#	#	#	#	#	#	#	#	#	#	#
80130000	61701300															
Including cement box without spindle		EN 3	EN 1 – 4	#	#	#	#	#	#	#	#	#	#	#	#	#
80120001	61701001															
EN 4	EN 1 – 4 with hold-open at 90°	#	#	#	#	#	#	#	#	#	#	#	#	#	#	#
80110001	61701201															
EN 6	EN 1 – 4 with hold-open at 105°	#	#	#	#	#	#	#	#	#	#	#	#	#	#	#
80130001	61701301															
Universal cover plate		46700000	46700059	Stainless steel												
46700100	46700159	Satin brass														

● = Floor spring with spindle # = Accessories

BTS 80 specification text

Universal non-handed floor spring conforming to DIN EN 1154 for single and double action doors up to max. 300 kg leaf weight. With adjustable closing speed and closing action from approx. 175°, with hydraulically fully controlled closing cycle and backcheck. With integral pressure compensation feature for temperature-independent hold-open between 75° and 175° (removable). With adjustable hold-open start point and delayed action (end of delayed action range adjustable between 75° and 105°). Including cement box.

- Size**
- EN 3
 - EN 4
 - EN 6
- Accessories**
- Spindle
 - standard
 - ... mm extension
 - special model ...
 - Universal cover plate (1.5 mm thick)
 - stainless steel
 - satin brass
 - Sealing compound
- Make:** DORMA BTS 80

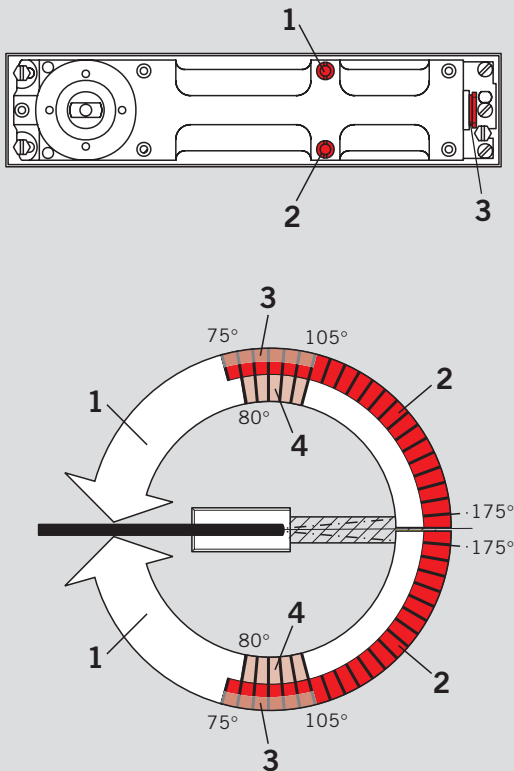
DORMA BTS 75 V specification text

Universal floor spring conforming to DIN EN 1154, non-handed unit suitable for LH and RH single and double action doors up to 120 kg leaf weight, with adjustable spring strength (size EN 1 – 4) and closing speed, with closing action operational from approx. 175°. Featuring hydraulically fully controlled closing cycle and backcheck. Including cement box.

- Fixed hold-open at 105°
- Accessories**
- Spindle
 - standard
 - ... mm extension
 - special design...
 - Universal cover plate (1.5 mm thick)
 - stainless steel
 - satin brass
 - Sealing compound
- Make:** DORMA BTS 75 V

- Models**
- With spindle
 - Without spindle
 - Fixed hold-open at 90°

Standard and optional functions of the BTS 80



- 1 Adjustable closing speed
- 2 Hold-open range or delayed action range

- 3 Adjustment range – point at which hold-open begins, or end of delayed action range (approx. 75° to 105°).
- 4 Mechanical backcheck (from approx. 80°)

Hydraulic hold-open

The integrated hold-open function allows the door to be held open at any angle between 75° and 175°. The angle at which the hold-open function begins can be adjusted in the range of 75° to 105°.

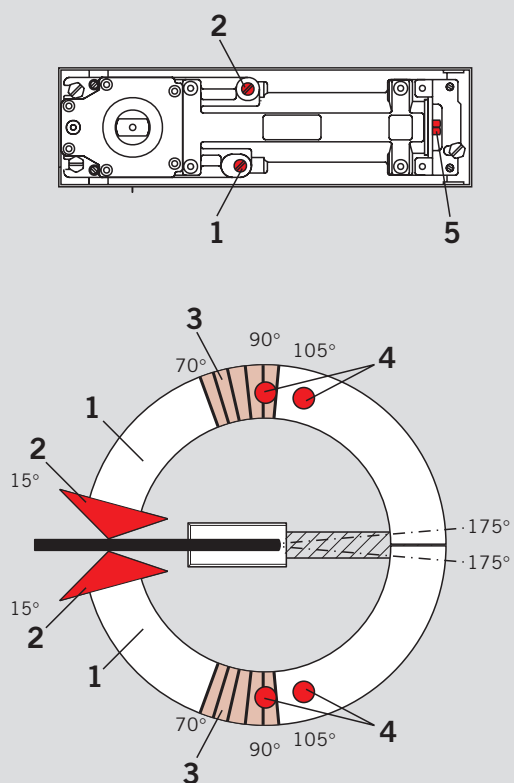
Delayed action

The delayed action function slows the door closing speed, thereby allowing disabled persons, mothers with pushchairs, staff with trolleys or hospital gurneys etc. to pass through the door without problem.

Backcheck

The integrated mechanical backcheck function protects the wall and door from damage caused by excessively vigorous opening.

Standard and optional functions of the BTS 75 V



- 1 Adjustable closing speed in the range 175° – 15°.
- 2 Adjustable closing speed in the range 15° – 0°.

- 3 Mechanical backcheck (from approx. 70°).
- 4 Fixed hold-open at 90° or 105° (option).
- 5 Adjustable spring strength (EN 1–4).

Closing speed

With two independently adjustable closing ranges (175° – 15° and 15° – 0°) the DORMA BTS 75 V is ideally adaptable to different structural conditions.

Fixed hold-open (option)

With the fixed hold-open function the door can be held open at an angle of 90° or 105°, depending on model.

Not suitable for use on Fire doors.

Backcheck

The integrated mechanical backcheck function protects the wall and door from damage caused by excessively vigorous opening.



The DORMA BTS 75 V is CERTIFIRE approved (Certificate No. 127) for door types ITT 60 and IMM, IMN 240.



4 102122 612867 1511



Door Control



Automatic



Glass fittings and Accessories



Security Time and Access (STA)



Movable Walls

Door Control Division worldwide

Central Europe

DORMA GmbH + Co. KG
DORMA Platz 1
D-58256 Ennepetal
Phone +49 2333 793-0
Fax +49 2333 793-495

Australasia

DORMA Door Controls Pty. Ltd.
52, Abbott Road
Hallam/Victoria 3803
Australia
Phone +61 3 8795 0666
Fax +61 3 8795 0280

China/Hong Kong

DORMA Door Controls
(Suzhou) Co. Ltd.
No. 9, Hong Feng Road
Suzhou Singapore Industrial Park
Suzhou, 215021
P.R. of China
Phone +86 512 67612481
Fax +86 512 67614582

DORMA Door Controls Pte. Ltd.

Room 701, Technology Plaza
651 King's Road
North Point
Hong Kong
Phone +852 25034632
Fax +852 28875370

Emerging Markets

DORMA GmbH + Co. KG
DORMA Platz 1
D-58256 Ennepetal
Phone +49 2333 793-0
Fax +49 2333 793-495

DORMA Door Controls (Pty.) Ltd.

Kings Court
4A Mineral Crescent
ZA-2000 Crown/Gauteng
South Africa
Phone +27 11 8300280
Fax +27 11 8300291

Far East

DORMA Far East Pte. Ltd.
No. 31 Gul Lane
Singapore 629425
Phone +65 6268 7633
Fax +65 6265 7995

France

DORMA France S.A.S.
Zone Europarc
Immeuble Mega 42
42, Rue Eugène Dupuis
F-94046 Créteil Cedex
Phone +33 1 41942400
Fax +33 1 41942401

Gulf

DORMA Gulf Door Controls FZE
Jebel Ali Free Zone South
Plot No. S 20135
Road No. SW 301 G
P.O. Box 17268
Dubai – United Arab Emirates
Phone +971 4 8020400
Fax +971 4 8869100/8869101

North America

DORMA Architectural Hardware
DORMA Drive, Drawer AC
Reamstown, PA 17567-0411
Phone +1 800 5238483
Fax +1 800 2749724

Scanbalt

DORMA Danmark A/S
Sindalvej 6–8
DK-2610 Rødovre
Phone +45 44 543000
Fax +45 44 543001

South America

DORMA Sistemas de Controles
para Portas Ltda.
Av. Piracema, 1400
Centro Empresarial Tambore
CEP 06400-933 Barueri/
São Paulo, Brasil
Phone +55 11 46899280
Fax +55 11 46899215

South-East Europe

DORMA AUSTRIA GmbH
Pebering Strass 22
A-5301 Eugendorf
Phone +43 6225 284880
Fax +43 6225 28491

South Europe

DORMA Italiana S.r.l.
Via. Canova 44/46
I-20035 Lissone (MI)
Phone +39 039 244031
Fax +39 039 24403310

DORMA Ibérica, S.A.

Camino San Martin de la Vega, 4
E-28500 Arganda del Rey
(Madrid)
Phone +34 91 8757850
Fax +34 91 8757881

UK/Ireland

DORMA UK Ltd.
Wilbury Way
Hitchin
GB-Hertfordshire SG4 0AB
Great Britain
Phone +44 1462 477600
Fax +44 1462 477601